

## STAINLESS STEEL EQUIPMENT ROOF HATCH, SINGLE LEAF

CATEGORY: EQUIPMENT

SKU: BRHES-S

 babcockdavis



### DETAILS

#### MATERIAL

- Aluminum: 11 gauge, mill finish
- Steel: 14 gauge galvalume, powder coat
- Stainless Steel: Type 304 14 gauge, 2B matte finish

**COVER** Formed metal cover withstands a live load of 40psf with a max deflection of 1/150 the span

**CURB** Single wall curb with EZ tab counterflash and mounting flange

**INSULATION** 1 inch fiberglass in cover, 1 inch polyiso around curb

**GASKET** Extruded EPDM adhesive backed gasket seal continuous around cover

**SPRING/HINGE ASSEMBLY** Zinc plated steel tamper-proof hinge contained within spring assembly, includes steel compression spring

**HOLD OPEN ARM** Zinc plated steel automatic hold open arm with red vinyl grip handle locks cover in open position

**LATCH** Zinc plated steel latch with exterior and interior turn handles and padlock hasps

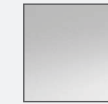
### FINISHES



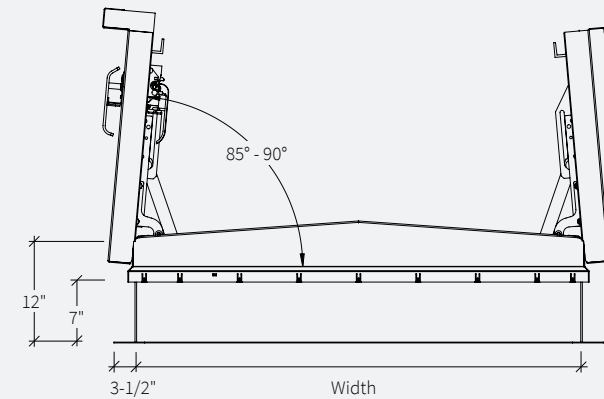
Mill



Red Oxide Powder Coat



2B Matte Stainless Steel



### STANDARD MODELS

GALVANIZED STEEL	ALUMINUM	STAINLESS STEEL	SIZE (IN.)	DOOR	CURB
BRHEG48X48S1T	BRHEA48X48S1T	BRHES48X48S1T	48 x 48	Single	Single Wall
BRHEG60X60D1T	BRHEA60X60D1T	BRHES60X60D1T	60 x 60	Double	Single Wall
BRHEG72X72D1T	BRHEA72X72D1T	BRHES72X72D1T	72 x 72	Double	Single Wall
BRHEG60X120D1T	BRHEA60X120D1T	BRHES60X120D1T	60 x 120	Double	Single Wall

Additional sizes and options available, call for more information.



TOLL FREE PHONE:  
1-800-431-8651



EMAIL:  
info@bestroofhatches.com



FAX:  
1-888-828-6021

www.BestRoofHatches.com