

# Hurricane Hatch™

## ROOF HATCH

Built to withstand nature's toughest storms, Babcock-Davis' Hurricane Hatch™ is ideal for regions extreme wind conditions. This hatch was tested for wind-uplift, forced entry and air infiltration.

### FEATURES

**INDUSTRY'S BEST** Tested for small and large missile impact - Class IV (TAS 201-94), Air Pressure & Water Penetration (TAS 202-94), and Cyclic Wind Pressure Loading (TAS 203-94).

**NEW LARGER SIZES** Miami-Dade Approved configurable sizes available up to a maximum opening of 20 ft<sup>2</sup> area; industry's largest 30" x 96".



### DETAILS

#### MATERIAL

- Aluminum 11 gauge, mill finish
- Steel 14 gauge galvalneal, red oxide powder coat

**COVER** Formed metal cover with liner, stiffened to withstand a live load of 40psf with a max deflection of 1/150 of the span

**CURB** Single wall curb with EZ tab counterflash and mounting flange

**INSULATION** 1 inch polyiso R-6 in curb, 1 inch polystyrene in cover

**GASKET** Extruded EPDM adhesive backed gasket seal continuous around cover

**HOLD OPEN ARM** Zinc plated steel automatic hold open arm locks cover in open position

**LATCH** Zinc plated steel latch with exterior and interior turn handles and padlock hasps.

**CERTIFICATION** Florida Product Approved and Miami-Dade County

#### 2-POINT LATCH

**SPRING / HINGE ASSEMBLY** Zinc plated steel tamper-proof hinges contained within spring assembly, includes steel compression springs

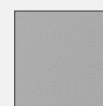
#### SINGLE POINT LATCH

**SPRING** Gas spring with damper for smooth, controlled lift assistance

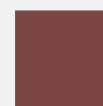
**HINGE** Heavy-duty pintle hinge with stainless steel hinge pin

**PULL HANDLE** Interior safety pull down handle, yellow powder coat

#### FINISHES



Mill



Red Oxide Powder Coat

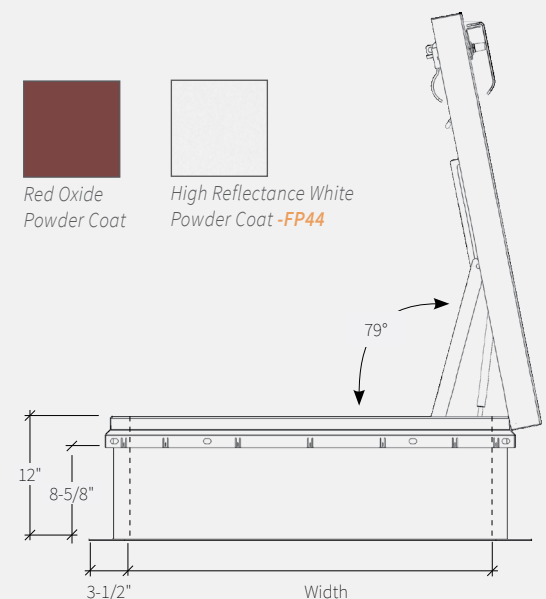


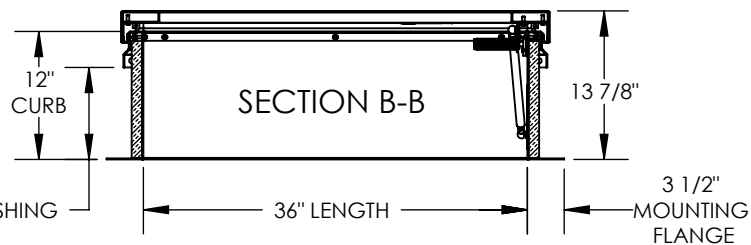
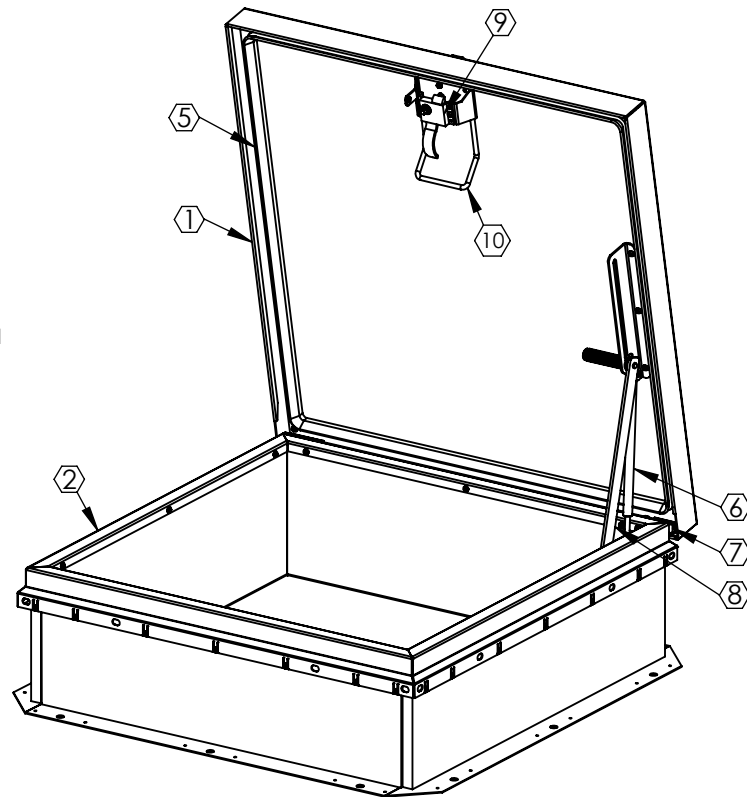
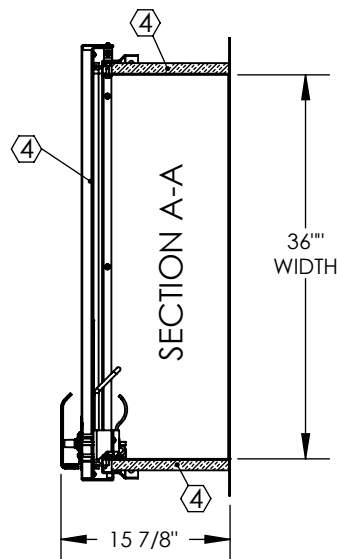
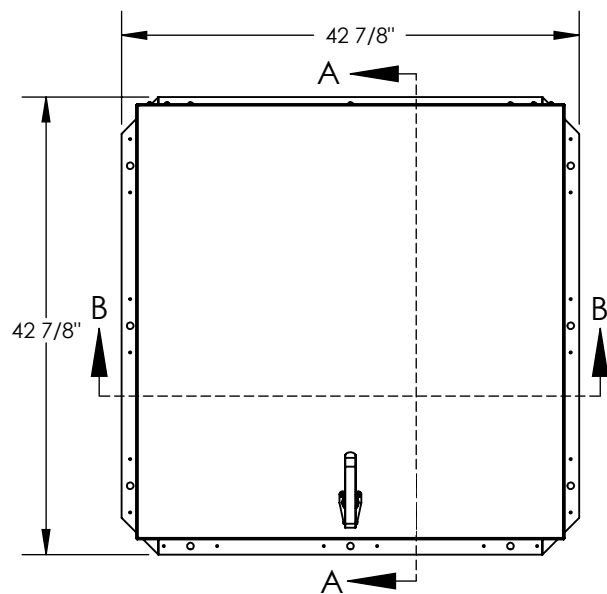
High Reflectance White Powder Coat -FP44

### STANDARDS SIZES

GALVANIZED STEEL	ALUMINUM	SIZE (IN.)	ACCESS	DOOR	CURB	LATCH
BRHHG30X54S1T	BRHHA30X54S1T	30 x 54	Ship Stair	Single	Single Wall	Single Point
BRHHG30X72S1T	BRHHA30X72S1T	30 x 72	Ship Stair	Single	Single Wall	2-Point
BRHHG30X96S1T	BRHHA30X96S1T	30 x 96	Ship Stair	Single	Single Wall	2-Point
BRHHG36X30S1T	BRHHA36X30S1T	36 x 30	Ladder	Single	Single Wall	Single Point
BRHHG36X36S1T	BRHHA36X36S1T	36 x 36	Ladder	Single	Single Wall	Single Point
BRHHG36X72S1T	BRHHA36X72S1T	36 x 72	Ship Stair	Single	Single Wall	2-Point
BRHHG48X48S1T	BRHHA48X48S1T	48 x 48	Ladder	Single	Single Wall	Single Point

Additional sizes and options available, call for more information.





**SPECIFICATIONS:**

- ① **COVER:** 11 GA (.090) ALUMINUM, STIFFENED TO WITHSTAND A LIVE LOAD OF 40PSF WITH A MAX DEFLECTION OF 1/150 OF THE SPAN.
- ② **CURB:** 11 GA (.090) ALUMINUM CURB COUNTERFLASH WITH EZ TABS.
- ③ **FINISH:** MILL
- ④ **INSULATION:** 1" POLYISO R-6 (5.6 LTR) IN CURB, 1" POLYSTYRENE R-4 (3.8 LTR) IN COVER.
- ⑤ **GASKET:** EXTRUDED EPDM RUBBER ADHESIVE BACKED GASKET SEAL CONTINUOUS AROUND COVER.
- ⑥ **SPRING:** GAS SPRING WITH DAMPER FOR SMOOTH, CONTROLLED, COUNTERBALANCED LIFT ASSISTANCE.
- ⑦ **HINGE:** PINTLE HINGE WITH STAINLESS STEEL HINGE PINS.
- ⑧ **HOLD OPEN ARM:** ZINC PLATED STEEL AUTOMATIC HOLD OPEN ARM LOCKS COVER IN FULLY OPEN POSITION WITH RED VINYL GRIP HANDLE PULL RELEASE.

- ⑨ **LATCH:** ZINC PLATED STEEL SLAM LATCH, HOLDS COVER CLOSED AGAINST WIND UPLIFT, INTERIOR AND EXTERIOR TURN HANDLES WITH PADLOCK HASPS.
- ⑩ **PULL HANDLE:** INTERIOR PULL DOWN HANDLE, SAFETY YELLOW POWDER COAT

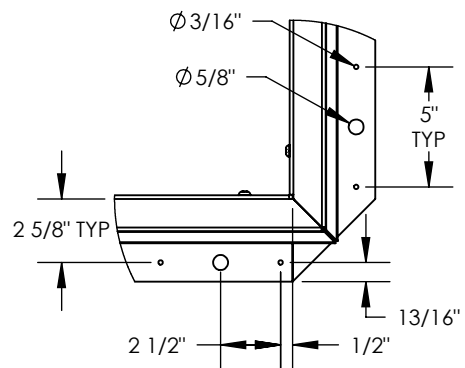
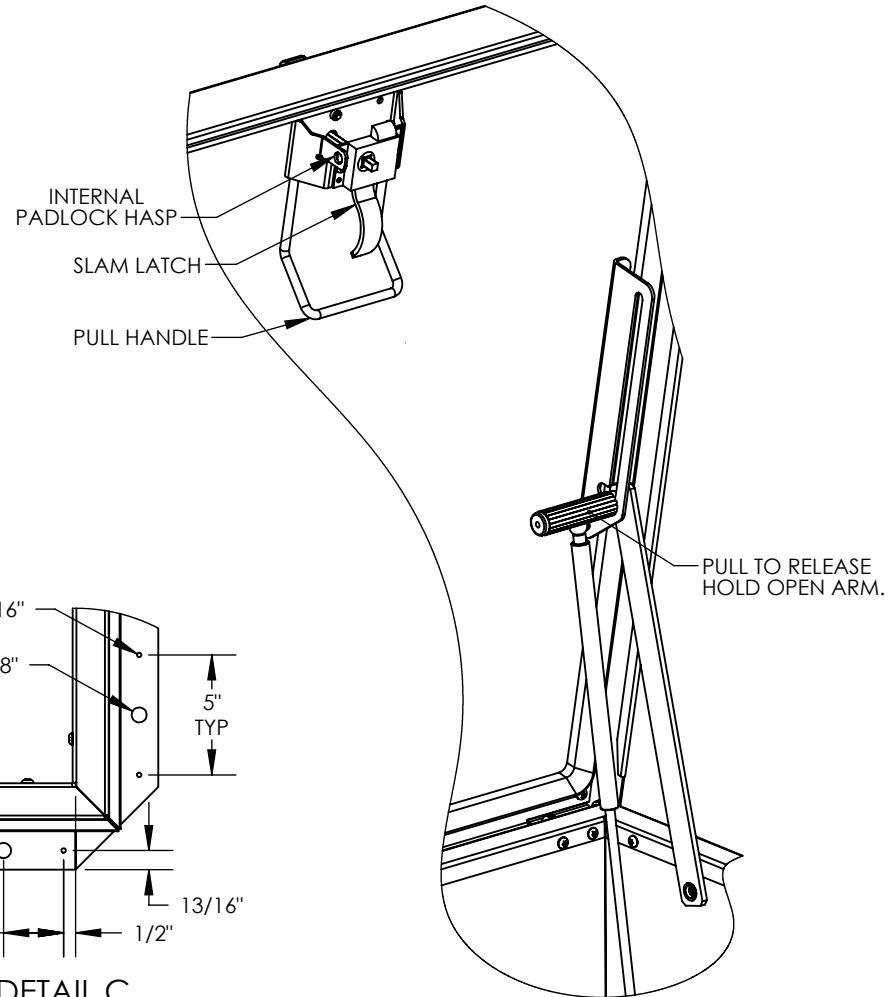
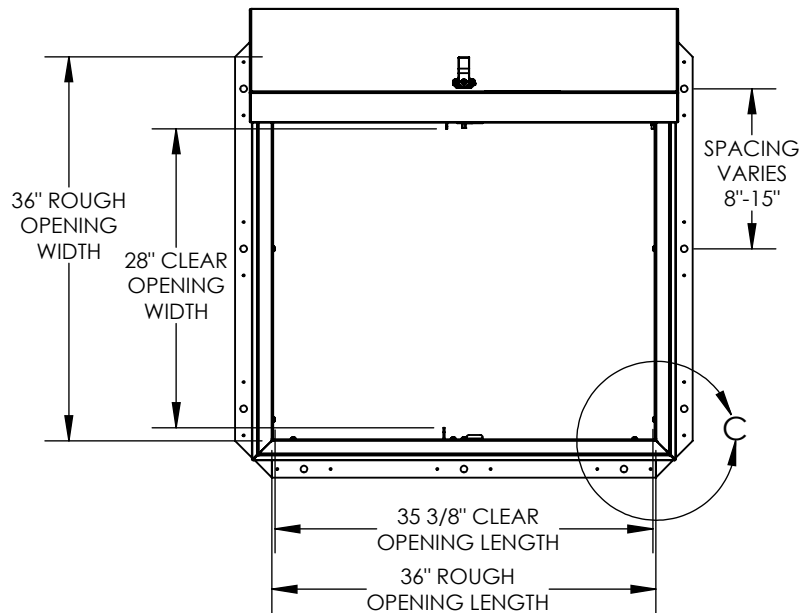
**NOTES:**

-WHEN INSTALLING ON A PITCHED ROOF UP TO 7:12, THE HINGE SIDE (LENGTH) MUST BE PARALLEL TO THE SLOPE.  
 - WIDTH X LENGTH DIMENSIONS ARE MEASURED INSIDE CURB TO INSIDE CURB. THE WIDTH IS HINGE TO LATCH AND LENGTH IS HINGED SIDE.

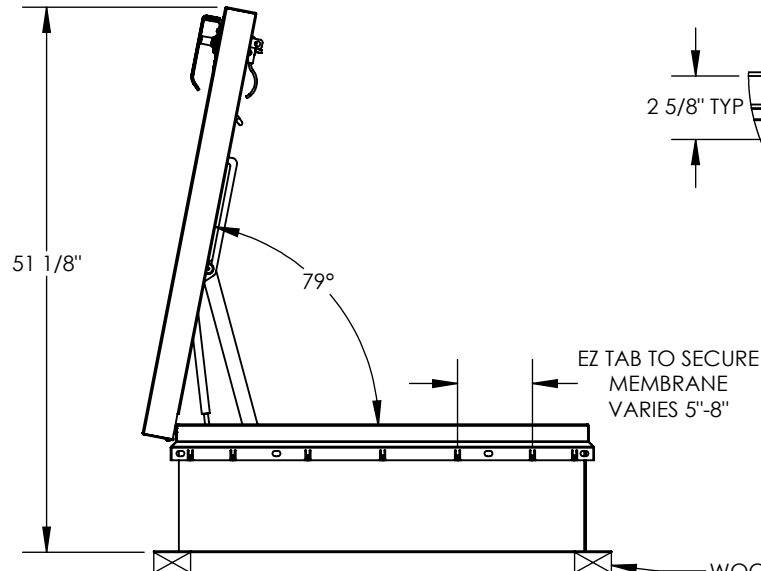
**ROOF HATCH SIZE** 36" (WIDTH) x 36" (LENGTH)  
**CLEAR OPENING** 28" (WIDTH) x 35 1/2" (LENGTH)  
**ROUGH OPENING** 36" (WIDTH) x 36" (LENGTH)

PROPRIETARY AND CONFIDENTIAL: THE INFORMATION CONTAINED IN THIS DRAWING IS THE SOLE PROPERTY OF BABCOCK-DAVIS. ANY REPRODUCTION IN PART OR AS A WHOLE WITHOUT THE WRITTEN PERMISSION OF BABCOCK-DAVIS IS PROHIBITED.

PROJECT:			
ARCHITECT:			
CONTRACTOR:			
QTY:			
PART:		BRHHA36X36S1T	
9300 73rd Avenue North, Brooklyn Park, MN 55428		TITLE: Roof Hatch, Hurricane 36x36, Sngl Dr, Alum, Mill, Sngl Wall Curb	
NAME	DATE	SIZE	DWG. NO.
DRAWN	SGS	04/01/15	A
RELEASED	IMT	04/01/15	BRHHA36X36S1T
WEIGHT: 68.5 lbs		REV -	



DETAIL C  
SCALE 1 : 8



WOOD, CONCRETE, OTHER MATERIAL FOR MOUNTING BY OTHERS (NIC)

			TITLE: Roof Hatch, Hurricane 36x36, Sngl Dr, Alum, Mill, Sngl Wall Curb		
9300 73rd Avenue North, Brooklyn Park, MN 55428			SIZE: A	DWG. NO.: BRHHA36X36S1T	REV: -
NAME: SGS	DATE: 04/01/15	SIZE: A	DWG. NO.:	BRHHA36X36S1T	REV: -
RELEASED: IMT	DATE: 04/01/15	WEIGHT: 68.5 lbs	SHEET 2 OF 2		

PROPRIETARY AND CONFIDENTIAL: THE INFORMATION CONTAINED IN THIS DRAWING IS THE SOLE PROPERTY OF BABCOCK-DAVIS. ANY REPRODUCTION IN PART OR AS A WHOLE WITHOUT THE WRITTEN PERMISSION OF BABCOCK-DAVIS IS PROHIBITED.