

SunLit™

ROOF HATCH

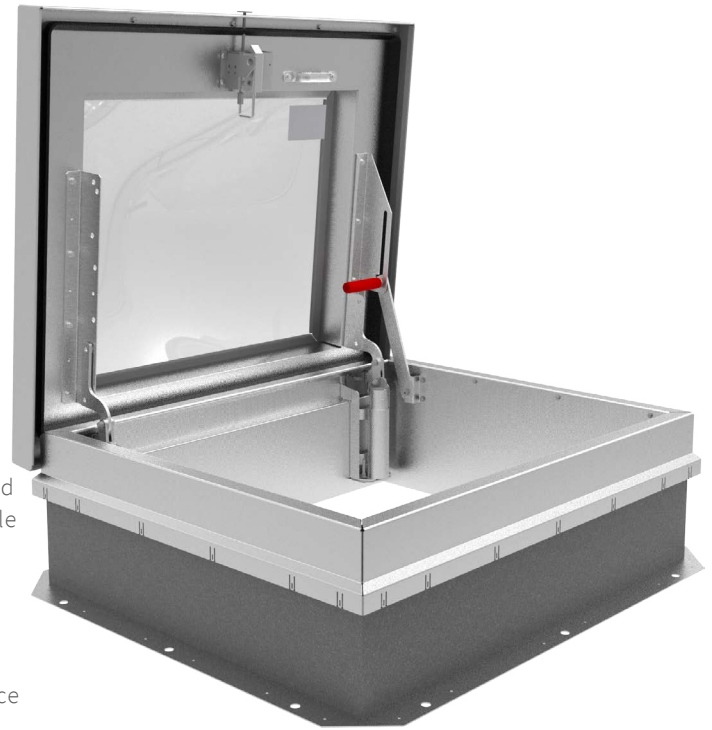
Providing natural daylighting, the SunLit Roof Hatch is engineered with a translucent dome cover that is ideal for use in commercial buildings, retail, schools and more.

FEATURES

POLYCARBONATE DOME Add the traditional look of a domed skylight with 1/8 inch thick UV coated polycarbonate available in clear, white or bronze colors.

OPTIONAL DOUBLE DOME Increase impact and thermal resistance with double glazed polycarbonate domes.

OPTIONAL INSULATION Add additional thermal performance with fully insulated curbs including 2 inch polyiso insulation; specify -IRR.



DETAILS

COVER Formed aluminum, 11 gauge, mill finish, metal cover with 1/8 inch clear polycarbonate, UV coated dome

CURB Single wall curb with EZ tab counterflash and mounting flange

- Aluminum: 11 gauge, mill finish
- Steel: 14 gauge galvalume, red oxide powder coat

INSULATION 1 inch fiberglass in cover, 1 inch polyiso around curb

GASKET Extruded EPDM adhesive backed gasket seal continuous around cover

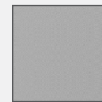
SPRING/HINGE ASSEMBLY Zinc plated steel tamper-proof hinges contained within spring assembly, includes steel compression springs

HOLD OPEN ARM Zinc plated steel automatic hold open arm with red vinyl grip handle locks cover in open position

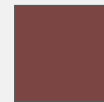
LATCH Zinc plated steel latch:

- 20psf wind uplift for lengths ≤60 inch with slam latch
- 90psf wind uplift for lengths >60 inches with 2-point rotary latch

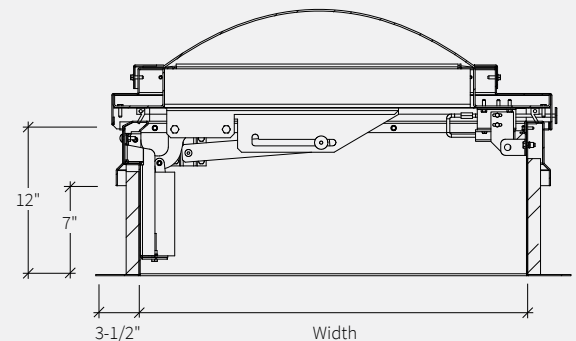
FINISHES



Mill
Aluminum



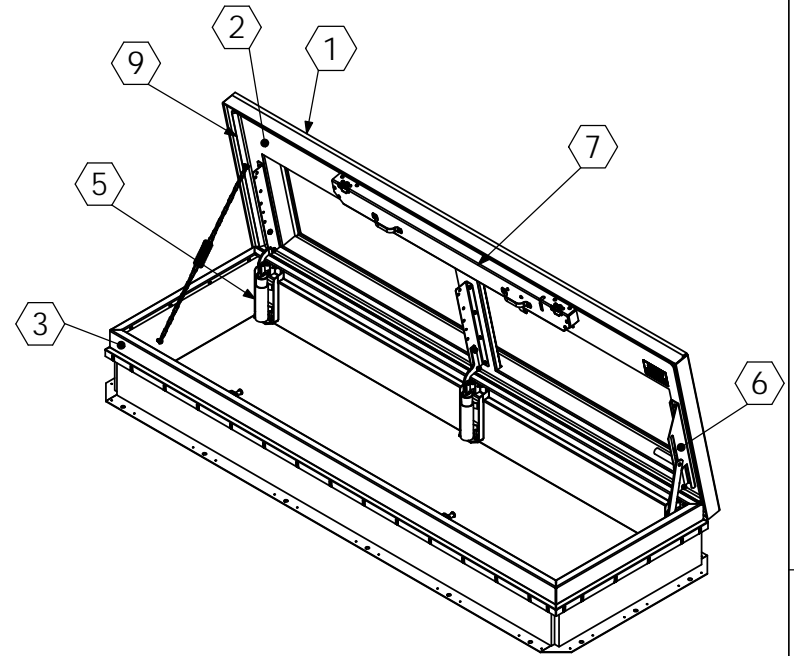
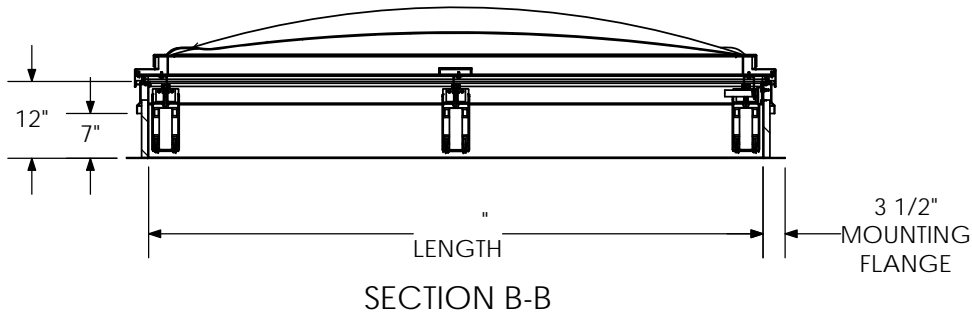
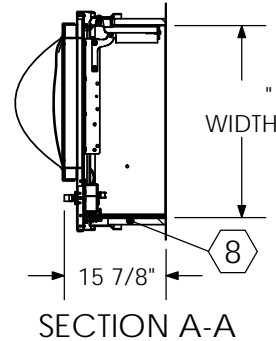
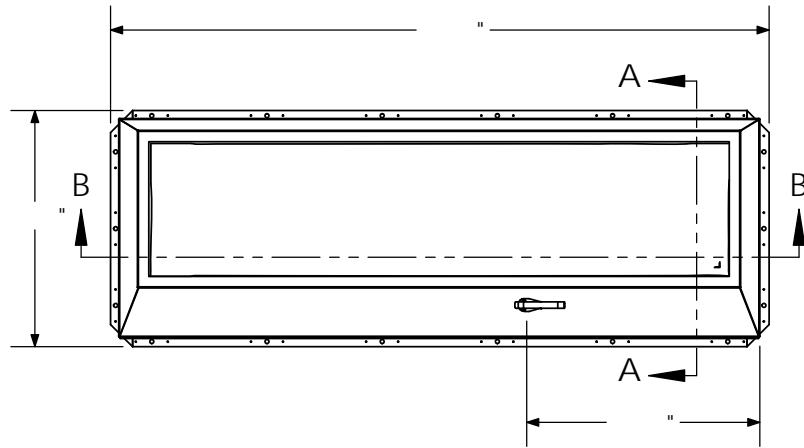
Red Oxide
Powder Coat



STANDARD MODELS

ALUMINUM	STEEL + ALUMINUM	SIZE (IN.)	ACCESS	DOOR	CURB
BRHLA36X30S1P	BRHLB36X30S1P	36 x 30	Ladder	Single	Single Wall
BRHLA36X36S1P	BRHLB36X36S1P	36 x 36	Ladder	Single	Single Wall

Additional sizes and options available, call for more information.




SPECIFICATIONS:

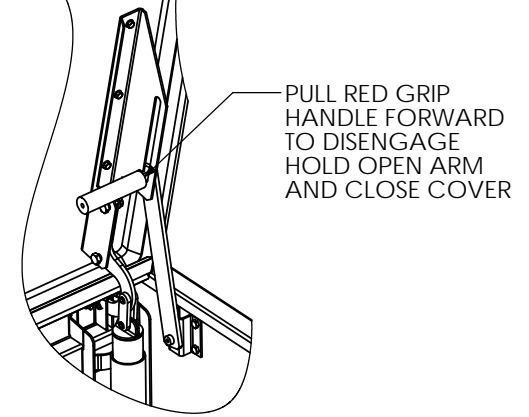
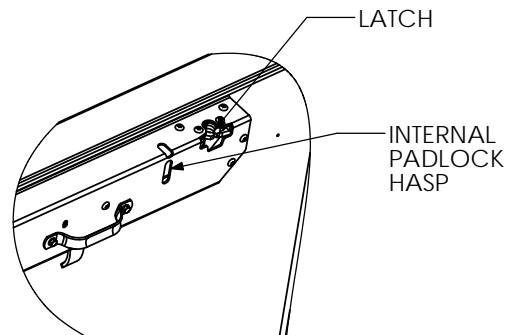
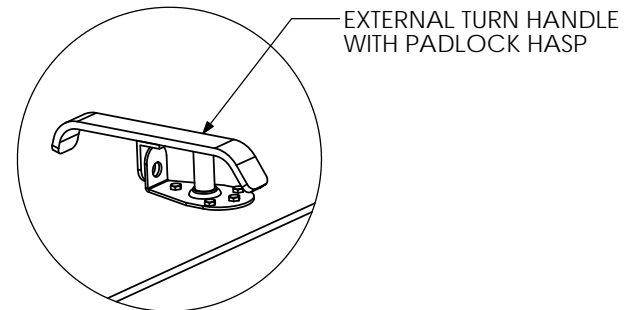
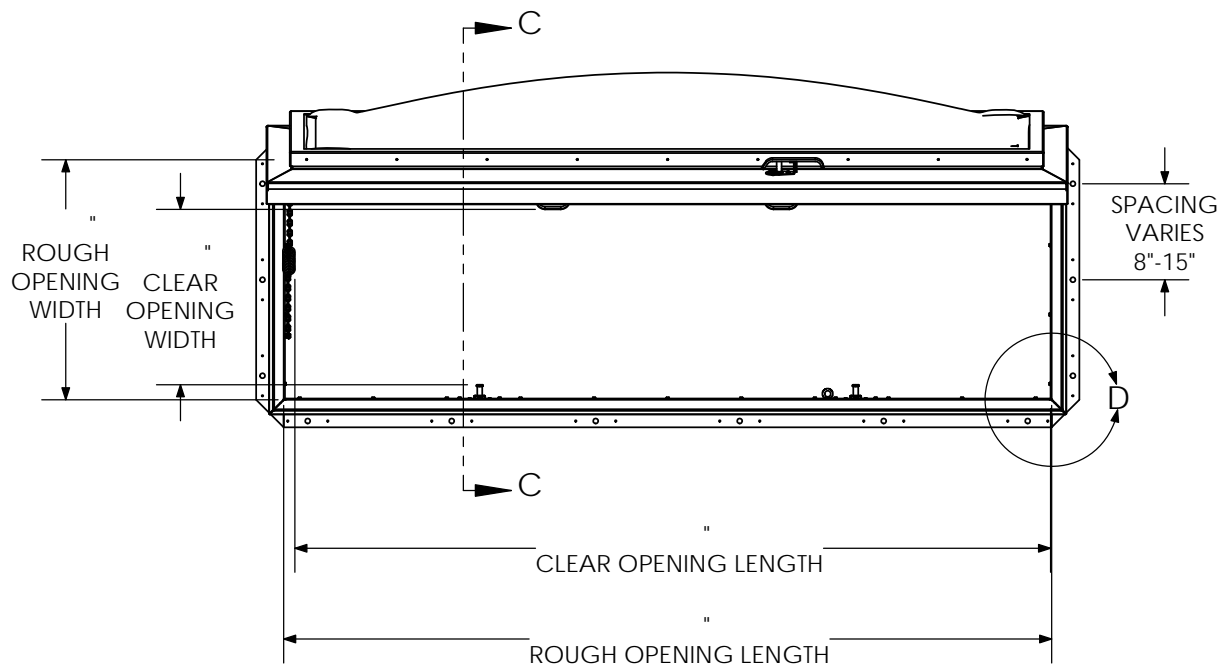
- ① **COVER:** 11 GA ALUM COVER STIFFENED TO WITHSTAND A LIVE LOAD OF 40PSF WITH A MAX DEFLECTION OF 1/150 OF THE SPAN
- ② **LINER:** 18 GA ALUM
- ③ **CURB AND COUNTERFLASH W/ EZ TAB:**
11 GA ALUM
- 4 **FINISH:** MILL FINISH
- ⑤ **SPRING/HINGE ASSEMBLY:** ZINC PLATED STEEL TAMPER-PROOF HINGE CONTAINED WITHIN SPRING/HINGE ASSEMBLY. TELESCOPIC TUBES CONTAIN COIL STEEL COMPRESSION SPRINGS FOR LIFT ASSISTANCE
- ⑥ **HOLD OPEN ARM:** LOCKS COVER IN FULLY OPEN POSITION - ZINC PLATED STEEL WITH RED VINYL GRIP HANDLE PULL RELEASE
- ⑦ **LATCH:** 2 POINT ROTARY LATCH SLAM LATCH HOLDS COVER CLOSED AGAINST 90 PSF WIND UPLIFT. INTERNAL AND EXTERNAL TURN HANDLES WITH PADLOCK HASPS

- ⑧ **INSULATION:**
1" FIBERGLASS IN COVER, AND 1" POLYISO (R6) IN CURB
- ⑨ **GASKET:** ADHESIVE BACKED EPDM RUBBER EXTRUSION
- 10 **SIZING:** WIDTH X LENGTH DIMENSIONS ARE MEASURED INSIDE CURB TO INSIDE CURB WHERE THE WIDTH IS HINGE TO LATCH AND LENGTH IS HINGED SIDE WITH SPRINGS

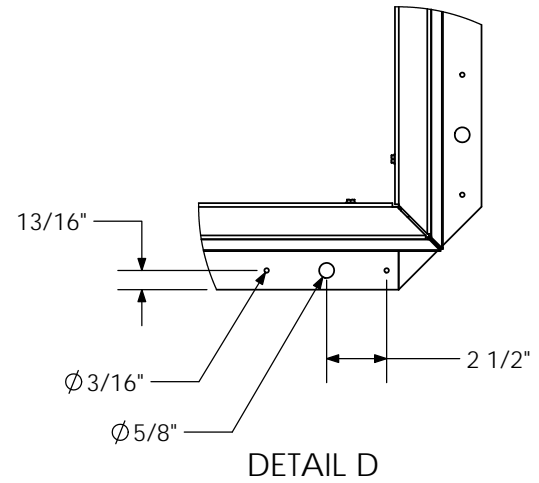
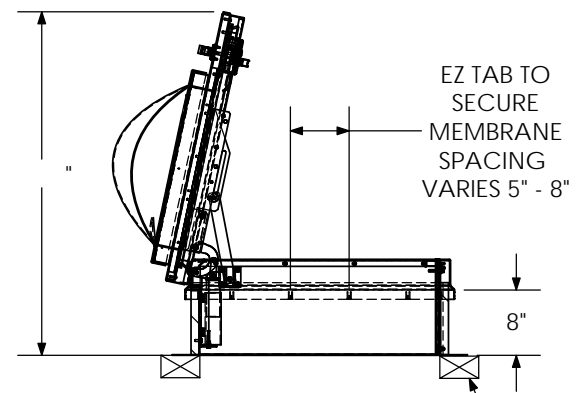
ROOF HATCH SIZE	" (WIDTH) x	" (LENGTH)
CLEAR OPENING	" (WIDTH) x	" (LENGTH)
ROUGH OPENING	" (WIDTH) x	" (LENGTH)

PROPRIETARY AND CONFIDENTIAL: THE INFORMATION CONTAINED IN THIS DRAWING IS THE SOLE PROPERTY OF BABCOCK-DAVIS. ANY REPRODUCTION IN PART OR AS A WHOLE WITHOUT THE WRITTEN PERMISSION OF BABCOCK-DAVIS IS PROHIBITED.

PROJECT:					
ARCHITECT:					
CONTRACTOR:					
QTY:					
PART#:					
 9300 73rd Avenue North Brooklyn Park, MN 55428		TITLE: Roof Hatch, Sunlit Series, Sngl Dr, Zinc Hdw, Alum Curb and Cover, Mill Finish, Sngl Wall Curb			
		NAME	DATE	SIZE	DWG. NO.
DRAWN	ELW	9/14/12	A		-
RELEASED	-	-	WEIGHT: VARIES		SHEET 1 OF 2



HARDWARE DETAILS



WOOD, CONCRETE, OTHER MATERIAL FOR MOUNTING BY OTHERS (NIC)

				TITLE: Roof Hatch, Sunlitl Series, Sngl Dr, Zinc Hdw, Alum Curb and Cover, Mill Finish, Sngl Wall Curb	
9300 73rd Avenue North Brooklyn Park, MN 55428					
NAME	DATE	SIZE	DWG. NO.	REV	
ELW	9/14/12	A		-	
RELEASED	-	-	WEIGHT: VARIES		SHEET 2 OF 2

PROPRIETARY AND CONFIDENTIAL: THE INFORMATION CONTAINED IN THIS DRAWING IS THE SOLE PROPERTY OF BABCOCK-DAVIS. ANY REPRODUCTION IN PART OR AS A WHOLE WITHOUT THE WRITTEN PERMISSION OF BABCOCK-DAVIS IS PROHIBITED.