

# SunLit™

## ROOF HATCH

Providing natural daylighting, the SunLit Roof Hatch is engineered with a translucent dome cover that is ideal for use in commercial buildings, retail, schools and more.

### FEATURES

**POLYCARBONATE DOME** Add the traditional look of a domed skylight with 1/8 inch thick UV coated polycarbonate available in clear, white or bronze colors.

**OPTIONAL DOUBLE DOME** Increase impact and thermal resistance with double glazed polycarbonate domes.

**OPTIONAL INSULATION** Add additional thermal performance with fully insulated curbs including 2 inch polyiso insulation; specify -IRR.



### DETAILS

**COVER** Formed aluminum, 11 gauge, mill finish, metal cover with 1/8 inch clear polycarbonate, UV coated dome

**CURB** Single wall curb with EZ tab counterflash and mounting flange

- Aluminum: 11 gauge, mill finish
- Steel: 14 gauge galvalume, red oxide powder coat

**INSULATION** 1 inch fiberglass in cover, 1 inch polyiso around curb

**GASKET** Extruded EPDM adhesive backed gasket seal continuous around cover

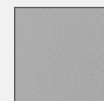
**SPRING/HINGE ASSEMBLY** Zinc plated steel tamper-proof hinges contained within spring assembly, includes steel compression springs

**HOLD OPEN ARM** Zinc plated steel automatic hold open arm with red vinyl grip handle locks cover in open position

**LATCH** Zinc plated steel latch:

- 20psf wind uplift for lengths ≤60 inch with slam latch
- 90psf wind uplift for lengths >60 inches with 2-point rotary latch

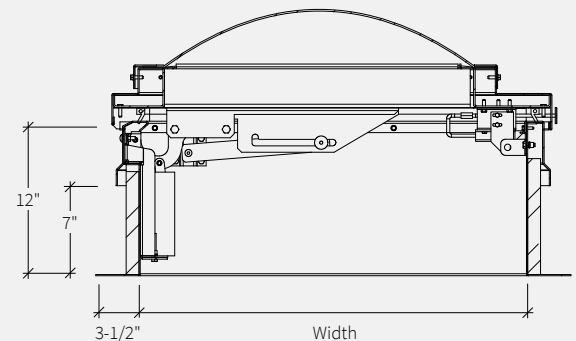
### FINISHES



Mill  
Aluminum



Red Oxide  
Powder Coat



### STANDARD MODELS

ALUMINUM	STEEL + ALUMINUM	SIZE (IN.)	ACCESS	DOOR	CURB
BRHLA36X30S1P	BRHLB36X30S1P	36 x 30	Ladder	Single	Single Wall
BRHLA36X36S1P	BRHLB36X36S1P	36 x 36	Ladder	Single	Single Wall

Additional sizes and options available, call for more information.