

# ThermalMAX™

## ROOF HATCH

The ThermalMAX Roof Hatch sets the new standard for thermally efficient roof hatches. Designed with a thermal break to keep cool-cool and hot-hot, this hatch boasts an R-20 insulation rating making it today's most energy efficient hatch.

### FEATURES

**THERMALLY BROKEN** Designed with a thermal break to stop the transfer of heat and cold.

**IECC COMPLIANCE** Code C402 for commercial building envelopes requires  $\geq R-5$  in skylight curbs, a gasket weather seal to minimize air leakage and a solar reflectance index  $\geq 82$  in climate zones 1, 2, 3.

**ENHANCED INSULATION** Three inch foil faced polyiso provides a thermally efficient design to help maintain building envelope integrity; R-20.



### DETAILS

**MATERIAL** 11 gauge Aluminum

**FINISH** Mill or powder coat

**COVER** Formed metal cover withstands a live load of 40psf with a max deflection of 1/150 the span

**CURB** Single wall curb with railing ready EZ tab counterflash and mounting flange

**INSULATION** 3 inch single layer foil faced polyiso in curb and cover; R-20.3

**GASKET** Extruded EPDM adhesive backed acoustic gasket seal, continuous around curb and cover to ensure a continuous seal

**SPRING** Gas spring with integrated damper for smooth, controlled lift assistance

**HINGE** Heavy-duty pintle hinge with stainless steel hinge pin

**HOLD OPEN ARM** Zinc plated steel automatic hold open arm with red vinyl grip handle locks cover in open position

**LATCH** Zinc plated steel spring-type slam latch with inside and outside operating turn handles and padlock hasp provisions; 20psf wind uplift

**PULL HANDLE** Interior safety pull down handle, yellow powder coat

### STANDARD MODELS

ALUMINUM	SIZE (IN.)	DOOR	CURB	ACCESS
BRHTA36X30S1T	36 x 30	Single	Single Wall	Ladder
BRHTA36X36S1T	36 x 36	Single	Single Wall	Ladder
BRHTA48X48S1T	48 x 48	Single	Single Wall	Ladder
BRHTA30X54S1T	30 x 54	Single	Single Wall	Ship Stair or Alternating Tread
BRHTA30X96S1T	30 x 96	Single	Single Wall	Service Stair

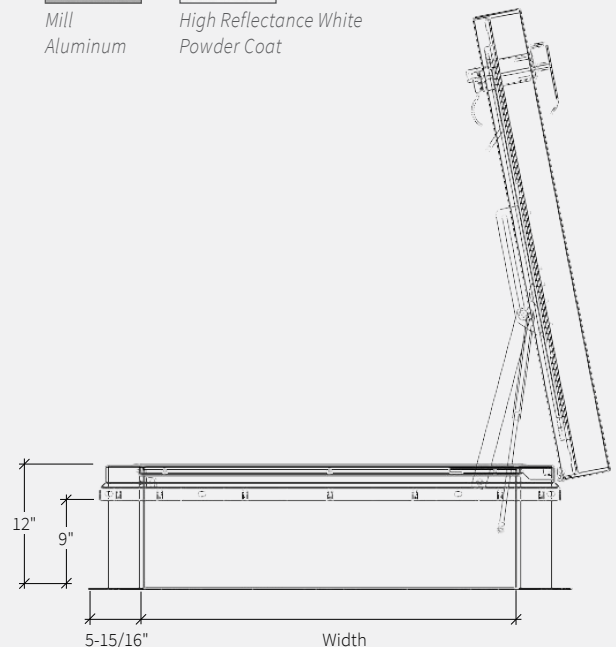
### FINISHES

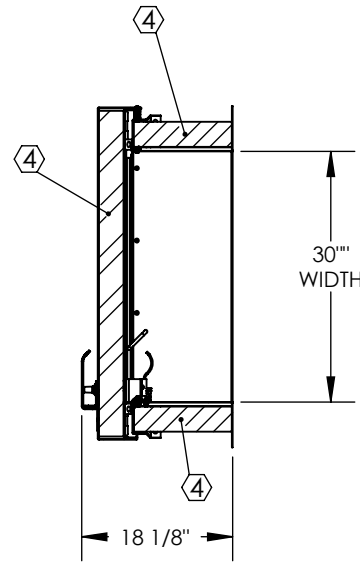
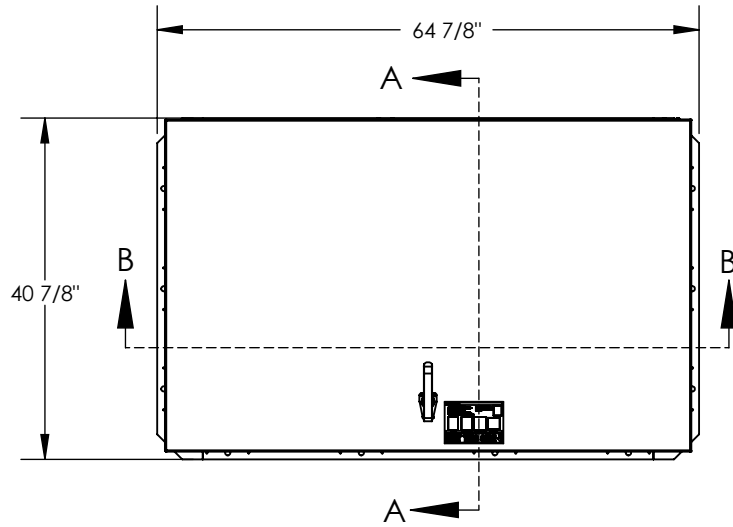


Mill  
Aluminum

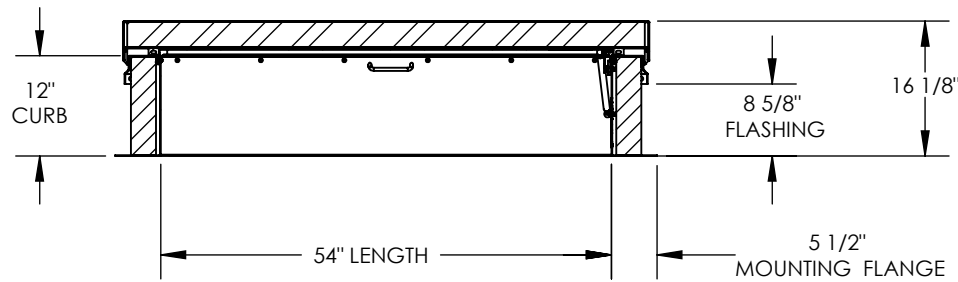


High Reflectance White  
Powder Coat

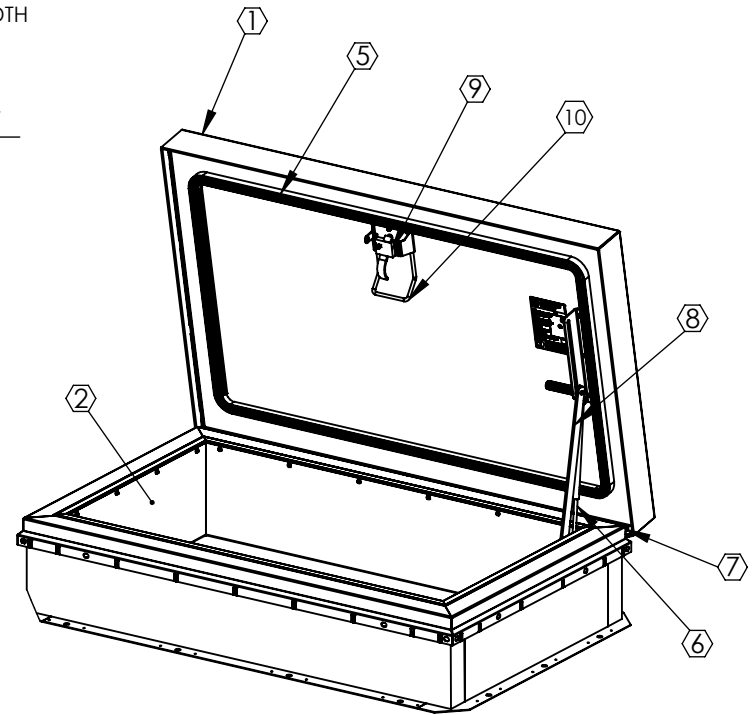




SECTION A-A



SECTION B-B



**SPECIFICATIONS:**

- ① **COVER:** 11 GA (.090) ALUMINUM, STIFFENED TO WITHSTAND A LIVE LOAD OF 40PSF WITH A MAX DEFLECTION OF 1/150 OF THE SPAN.
- ② **CURB:** 11 GA (.090) ALUMINUM CURB COUNTERFLASH WITH EZ TABS.
- ③ **FINISH:** MILL
- ④ **INSULATION:** 3" POLYISO R-20 IN CURB,  
3" POLYISO R-20 IN COVER.
- ⑤ **GASKET:** EXTRUDED EPDM RUBBER ADHESIVE BACKED GASKET SEAL CONTINUOUS AROUND COVER.
- ⑥ **SPRING:** GAS SPRING WITH DAMPER FOR SMOOTH, CONTROLLED, COUNTERBALANCED LIFT ASSISTANCE.
- ⑦ **HINGE:** PINTLE HINGE WITH STAINLESS STEEL HINGE PINS.
- ⑧ **HOLD OPEN ARM:** ZINC PLATED STEEL AUTOMATIC HOLD OPEN ARM LOCKS COVER IN FULLY OPEN POSITION WITH RED VINYL GRIP HANDLE PULL RELEASE.

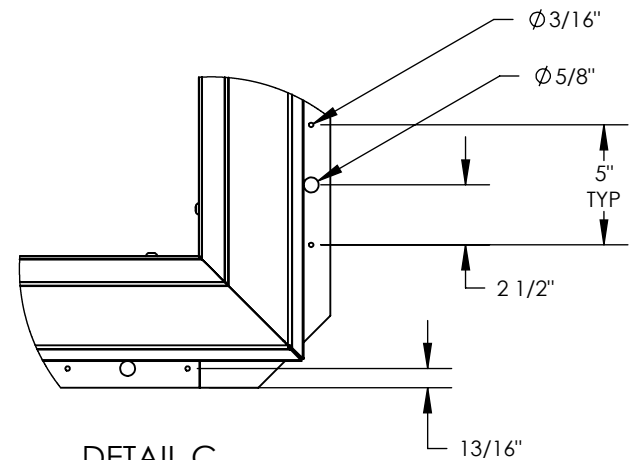
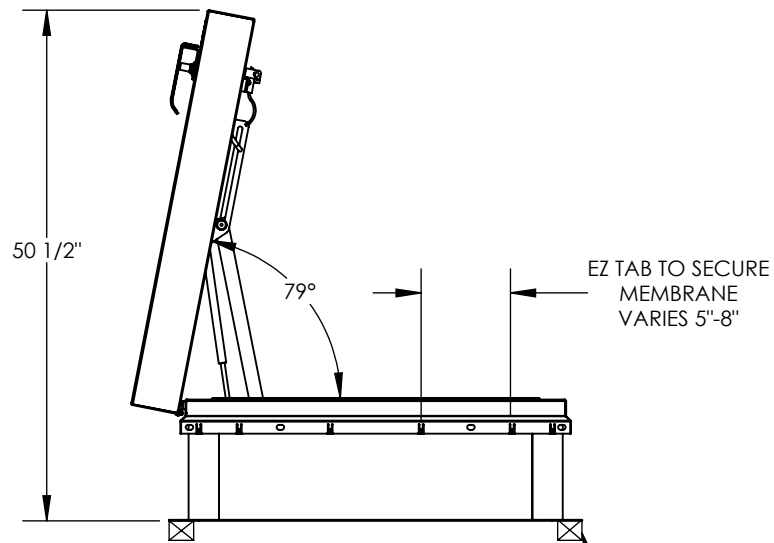
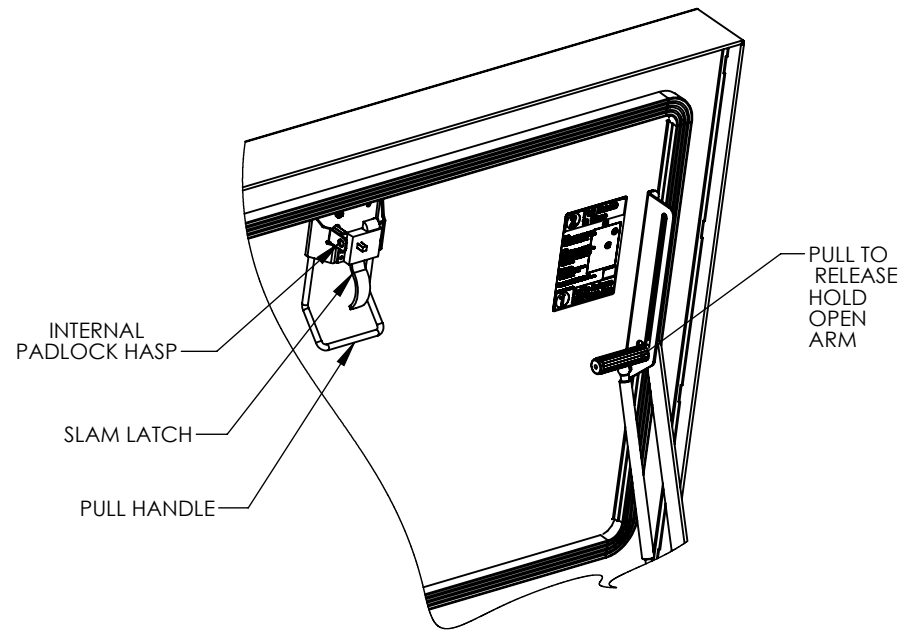
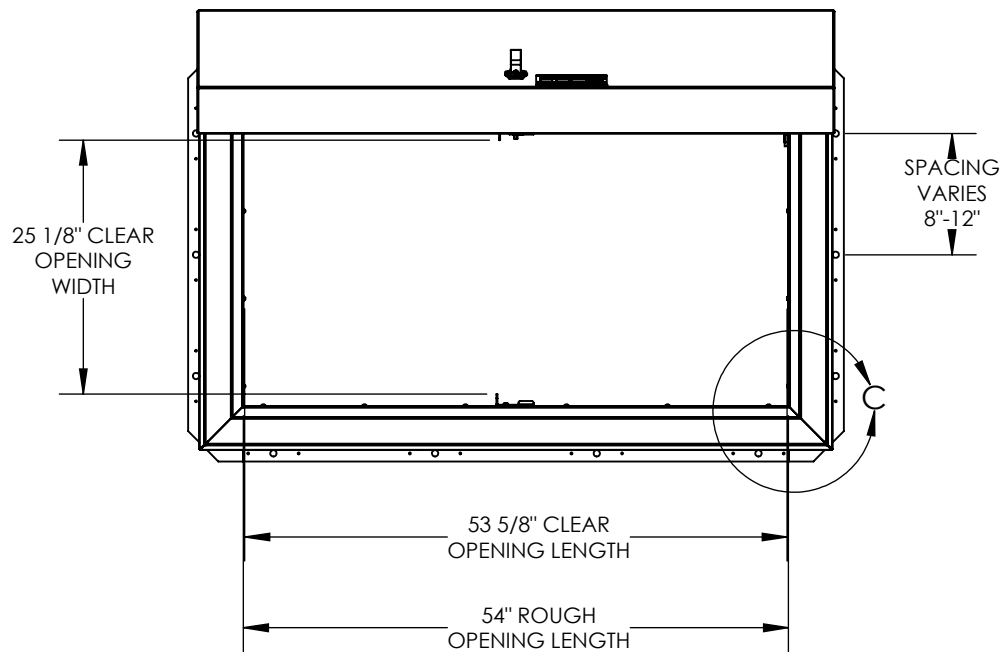
- ⑨ **LATCH:** ZINC PLATED STEEL SLAM LATCH, HOLDS COVER CLOSED AGAINST 20PSF WIND UPLIFT, INTERIOR AND EXTERIOR TURN HANDLES WITH PADLOCK HASPS.
- ⑩ **PULL HANDLE:** INTERIOR PULL DOWN HANDLE, SAFETY YELLOW POWDER COAT

**NOTES:**  
 -WHEN INSTALLING ON A PITCHED ROOF UP TO 7:12, THE HINGE SIDE(LENGTH) MUST BE PARALLEL TO THE SLOPE.  
 - WIDTH X LENGTH DIMENSIONS ARE MEASURED INSIDE CURB TO INSIDE CURB. THE WIDTH IS HINGE TO LATCH AND LENGTH IS HINGED SIDE.

**ROOF HATCH SIZE** 30" (WIDTH) x 54" (LENGTH)  
**CLEAR OPENING** 25 1/8" (WIDTH) x 53 5/8" (LENGTH)  
**ROUGH OPENING** 30" (WIDTH) x 54" (LENGTH)

PROPRIETARY AND CONFIDENTIAL: THE INFORMATION CONTAINED IN THIS DRAWING IS THE SOLE PROPERTY OF BABCOCK DAVIS. ANY REPRODUCTION IN PART OR AS A WHOLE WITHOUT THE WRITTEN PERMISSION OF BABCOCK DAVIS IS PROHIBITED.

PROJECT:			
ARCHITECT:			
CONTRACTOR:			
QTY:			
PART:		BRHTA30X54S1T	
		TITLE:	
		Roof Hatch, ThermalMAX 30x54, Sngl Dr, Alum, Mill, Sngl Wall Curb	
9300 73rd Avenue North Brooklyn Park, MN 55428		NAME	DATE
DRAWN	Rak	10/26/16	SIZE
RELEASED	IMT	10/26/16	DWG. NO.
		A	
		BRHTA30X54S1T	
		REV	
		-	
		WEIGHT: 63 lbs	
		SHEET 1 OF 2	



DETAIL C  
SCALE 1 : 8

WOOD, CONCRETE, OTHER MATERIAL FOR MOUNTING BY OTHERS (NIC)

			TITLE: Roof Hatch, ThermalMAX 30x54, Sngl Dr, Alum, Mill, Sngl Wall Curb		
9300 73rd Avenue North Brooklyn Park, MN 55428					
NAME	DATE	SIZE	DWG. NO.	REV	
Rak	10/26/16	A	BRHTA30X54S1T	-	
RELEASED			WEIGHT: 63 lbs		SHEET 2 OF 2