

ThermalMAX™

ROOF HATCH

The ThermalMAX Roof Hatch sets the new standard for thermally efficient roof hatches. Designed with a thermal break to keep cool-cool and hot-hot, this hatch boasts an R-20 insulation rating making it today's most energy efficient hatch.

FEATURES

THERMALLY BROKEN Designed with a thermal break to stop the transfer of heat and cold.

IECC COMPLIANCE Code C402 for commercial building envelopes requires $\geq R-5$ in skylight curbs, a gasket weather seal to minimize air leakage and a solar reflectance index ≥ 82 in climate zones 1, 2, 3.

ENHANCED INSULATION Three inch foil faced polyiso provides a thermally efficient design to help maintain building envelope integrity; R-20.



DETAILS

MATERIAL 11 gauge Aluminum

FINISH Mill or powder coat

COVER Formed metal cover withstands a live load of 40psf with a max deflection of 1/150 the span

CURB Single wall curb with railing ready EZ tab counterflash and mounting flange

INSULATION 3 inch single layer foil faced polyiso in curb and cover; R-20.3

GASKET Extruded EPDM adhesive backed acoustic gasket seal, continuous around curb and cover to ensure a continuous seal

SPRING Gas spring with integrated damper for smooth, controlled lift assistance

HINGE Heavy-duty pintle hinge with stainless steel hinge pin

HOLD OPEN ARM Zinc plated steel automatic hold open arm with red vinyl grip handle locks cover in open position

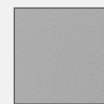
LATCH Zinc plated steel spring-type slam latch with inside and outside operating turn handles and padlock hasp provisions; 20psf wind uplift

PULL HANDLE Interior safety pull down handle, yellow powder coat

STANDARD MODELS

ALUMINUM	SIZE (IN.)	DOOR	CURB	ACCESS
BRHTA36X30S1T	36 x 30	Single	Single Wall	Ladder
BRHTA36X36S1T	36 x 36	Single	Single Wall	Ladder
BRHTA48X48S1T	48 x 48	Single	Single Wall	Ladder
BRHTA30X54S1T	30 x 54	Single	Single Wall	Ship Stair or Alternating Tread
BRHTA30X96S1T	30 x 96	Single	Single Wall	Service Stair

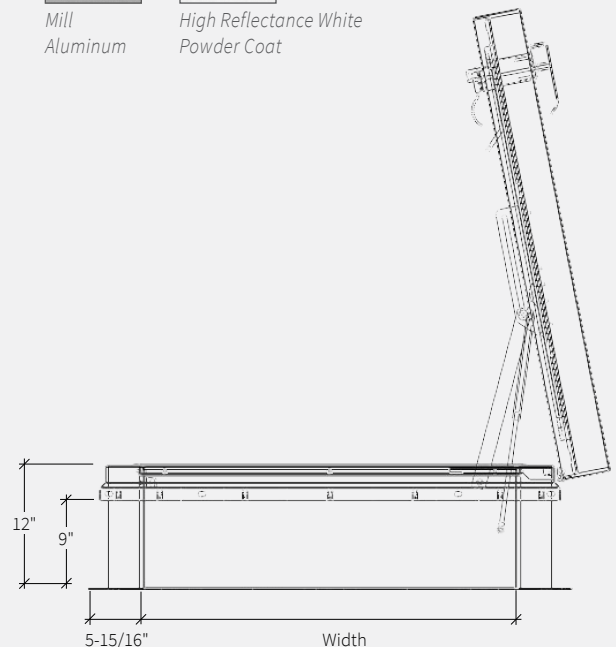
FINISHES

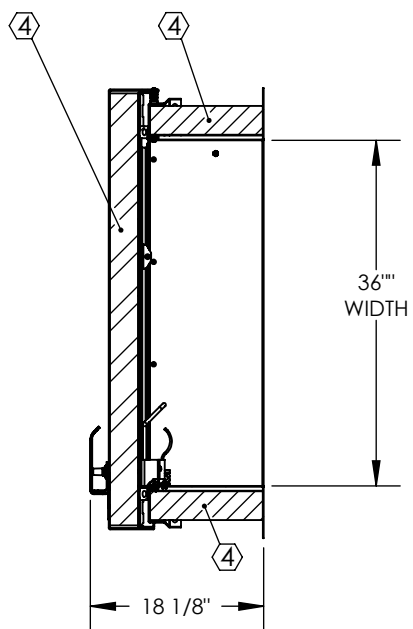
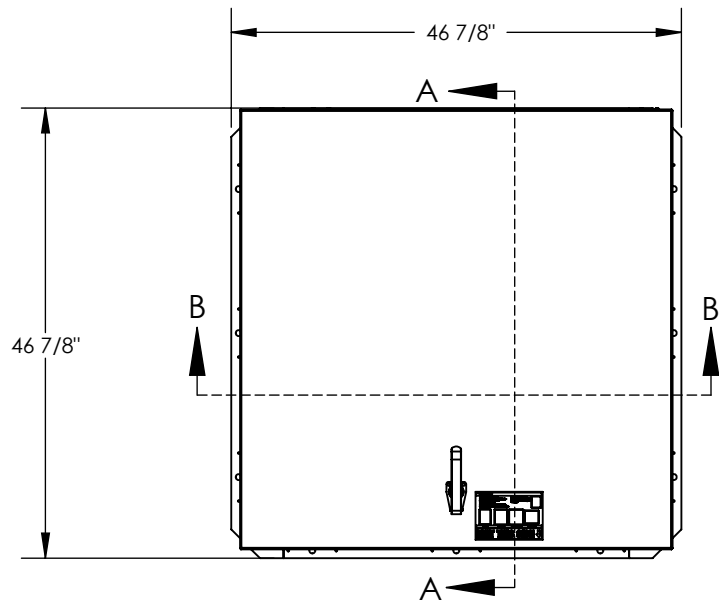


Mill Aluminum

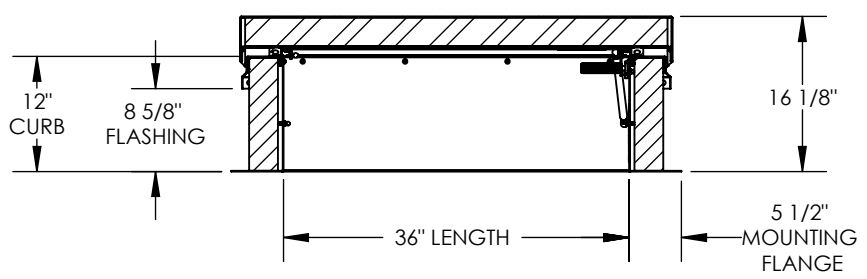


High Reflectance White Powder Coat

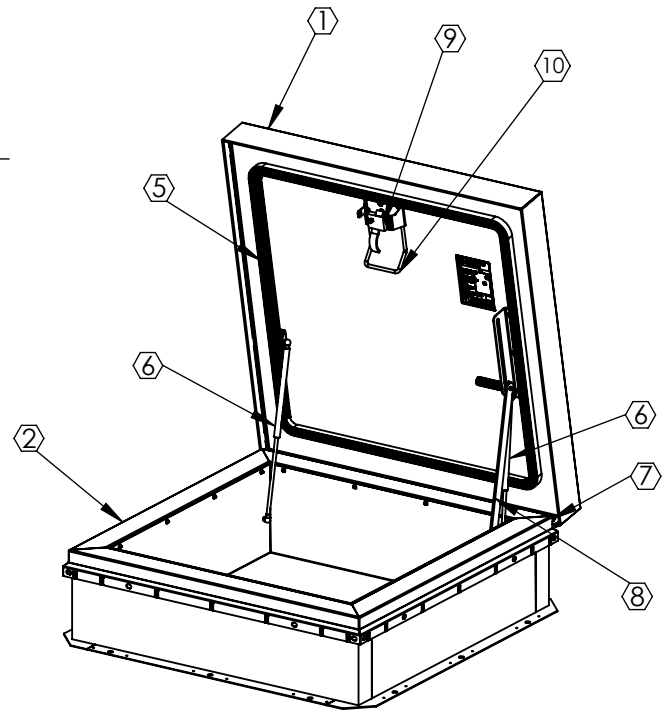




SECTION A-A



SECTION B-B



SPECIFICATIONS:

- ① **COVER:** 11 GA (.090)ALUMINUM ,STIFFENED TO WITHSTAND A LIVE LOAD OF 40PSF WITH A MAX DEFLECTION OF 1/150 OF THE SPAN.
- ② **CURB:** 11 GA (.090)ALUMINUM CURB COUNTERFLASH WITH EZ TABS.
- ③ **FINISH:** MILL
- ④ **INSULATION:** 3" POLYISO R-20 IN CURB,
3" POLYSTYRENE R-20 IN COVER.
- ⑤ **GASKET:** EXTRUDED EPDM RUBBER ADHESIVE BACKED GASKET SEAL CONTINUOUS AROUND COVER.
- ⑥ **SPRING:** GAS SPRING WITH DAMPER FOR SMOOTH, CONTROLLED, COUNTERBALANCED LIFT ASSISTANCE.
- ⑦ **HINGE:** PINTLE HINGE WITH STAINLESS STEEL HINGE PINS.
- ⑧ **HOLD OPEN ARM:** ZINC PLATED STEEL AUTOMATIC HOLD OPEN ARM LOCKS COVER IN FULLY OPEN POSITION WITH RED VINYL GRIP HANDLE PULL RELEASE.

- ⑨ **LATCH:** ZINC PLATED STEEL SLAM LATCH, HOLDS COVER CLOSED AGAINST 20PSF WIND UPLIFT, INTERIOR AND EXTERIOR TURN HANDLES WITH PADLOCK HASPS.
- ⑩ **PULL HANDLE:** INTERIOR PULL DOWN HANDLE, SAFETY YELLOW POWDER COAT

NOTES:
 -WHEN INSTALLING ON A PITCHED ROOF UP TO 7:12, THE HINGE SIDE(LENGTH)MUST BE PARALLEL TO THE SLOPE.
 - WIDTH X LENGTH DIMENSIONS ARE MEASURED INSIDE CURB TO INSIDE CURB. THE WIDTH IS HINGE TO LATCH AND LENGTH IS HINGED SIDE.

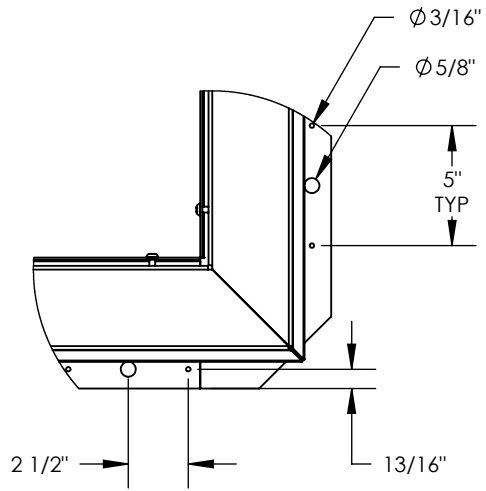
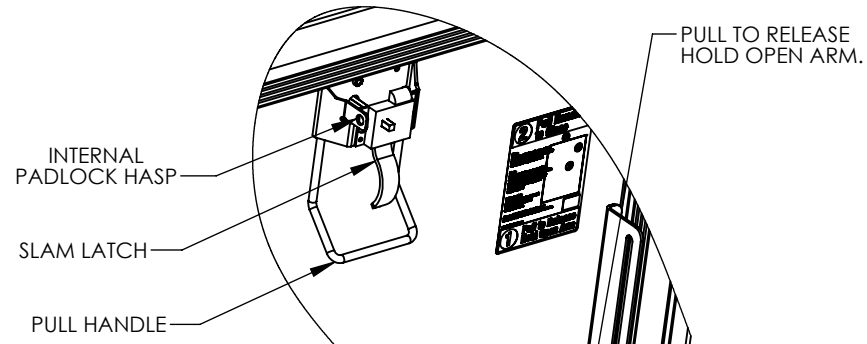
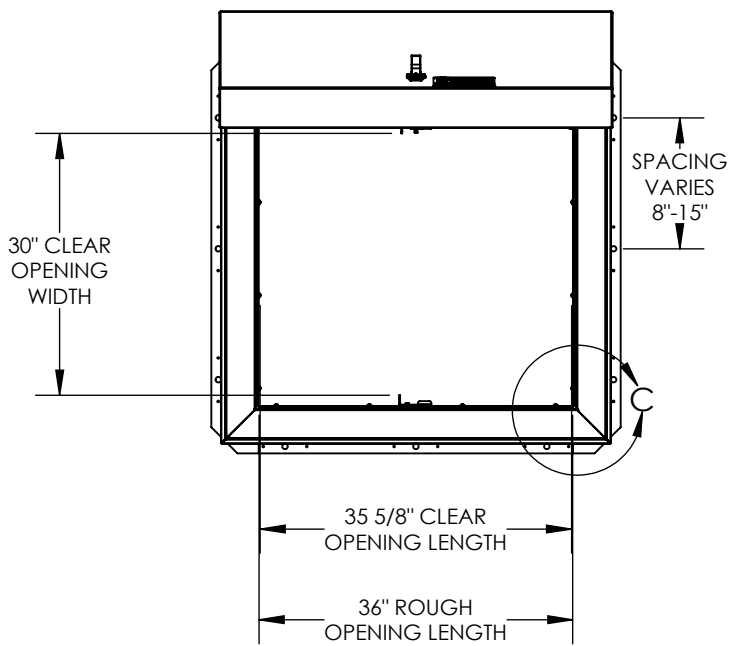
ROOF HATCH SIZE 36" (WIDTH) x 36" (LENGTH)
CLEAR OPENING 30"(WIDTH) x 35 5/8" (LENGTH)
ROUGH OPENING 36" (WIDTH) x 36" (LENGTH)

PROPRIETARY AND CONFIDENTIAL: THE INFORMATION CONTAINED IN THIS DRAWING IS THE SOLE PROPERTY OF BABCOCK DAVIS. ANY REPRODUCTION IN PART OR AS A WHOLE WITHOUT THE WRITTEN PERMISSION OF BABCOCK DAVIS IS PROHIBITED.

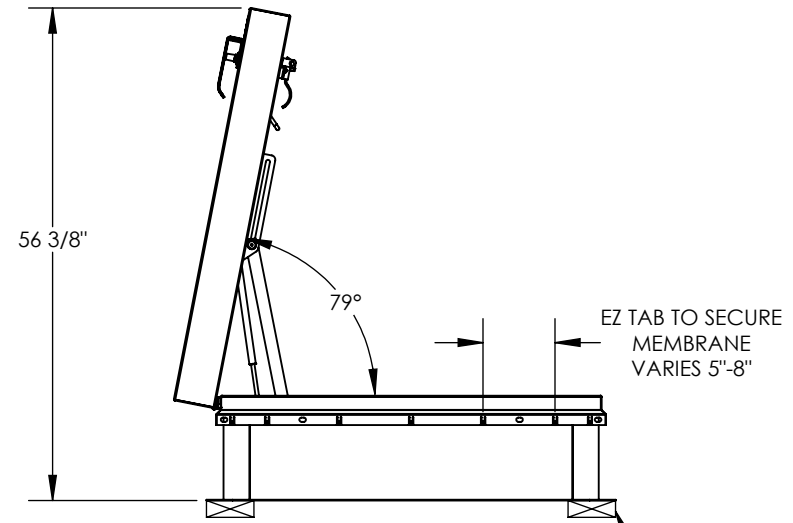
PROJECT:				
ARCHITECT:				
CONTRACTOR:				
QTY:				
PART:		BRHTA36X36S1T		
9300 73rd Avenue North Brooklyn Park, MN 55428		TITLE:		
		Roof Hatch, ThermalMAX 36 x 36, Sngl Dr, Alum, Mill, Sngl Wall Curb		
NAME	DATE	SIZE	DWG. NO.	REV
DRAWN Rak	11/1/16	A	BRHTA36X36S1T	-
RELEASED IMT	11/1/16	WEIGHT: 63 lbs	SHEET 1 OF 2	

B

B



DETAIL C SCALE 1 : 8



A

A

			TITLE: Roof Hatch, ThermalMAX 36 x 36, Sngl Dr, Alum, Mill, Sngl Wall Curb		
9300 73rd Avenue North Brooklyn Park, MN 55428			DWG. NO.	BRHTA36X36S1T	
NAME	DATE	SIZE	DWG. NO.	REV	
DRAWN Rak	11/1/16	A		-	
RELEASED IMT	11/1/16		WEIGHT: 63 lbs	SHEET 2 OF 2	

PROPRIETARY AND CONFIDENTIAL: THE INFORMATION CONTAINED IN THIS DRAWING IS THE SOLE PROPERTY OF BABCOCK DAVIS. ANY REPRODUCTION IN PART OR AS A WHOLE WITHOUT THE WRITTEN PERMISSION OF BABCOCK DAVIS IS PROHIBITED.