

LightMAX™ eco

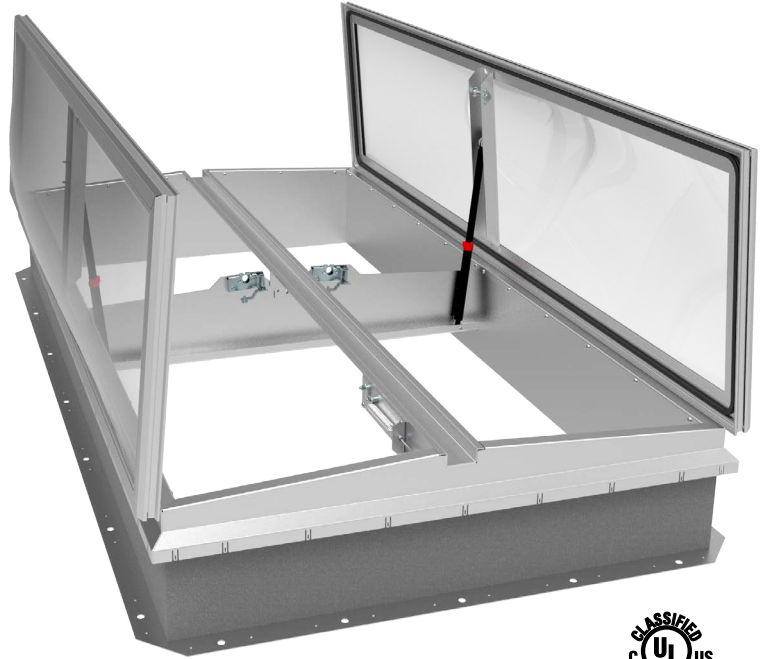
SMOKE VENT

The LightMAX eco sets the new standard for UL793 listed daylighting smoke vents. Now available with multiple curb options, burglar bars, safety railing ready and other security options.

FEATURES

INNOVATIVE DESIGN Innovative patent-pending design means better performance, easier install and lower cost.

NATURAL DAYLIGHTING Add the traditional look of a domed skylight and added sustainability benefit of natural daylighting.



DETAILS

COVER Extruded aluminum frame, 11 gauge, mill finish, with polycarbonate dome to withstand a live load of 40psf.

CURB Single wall curb with apron mount

GASKET Extruded EPDM adhesive backed gasket seals

HINGE Patent-pending extruded hinge, continuous

SPRING Gas spring damper opens cover against 10psf snow load

HOLD OPEN ARM Hold open arm integrated into the gas spring, locks cover in fully open position

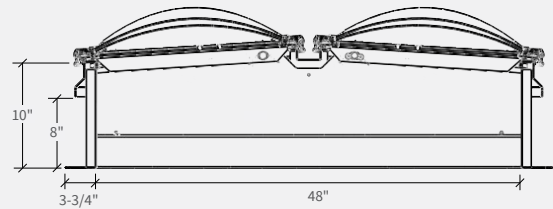
LATCH Zinc plated steel rotary latch designed to hold covers closed against 90psf wind uplift. Opens manually by external and internal pull cables. Opens automatically with a fusible link at standard temperature 165°F.

OPERATION Opens automatically with fusible link and manual pull handles.

SIZES

- Double Door: 48 inches by 48 inches to 48 inches by 96 inches
- Quad Door: 48 inches by 96 inches to 48 inches by 192 inches

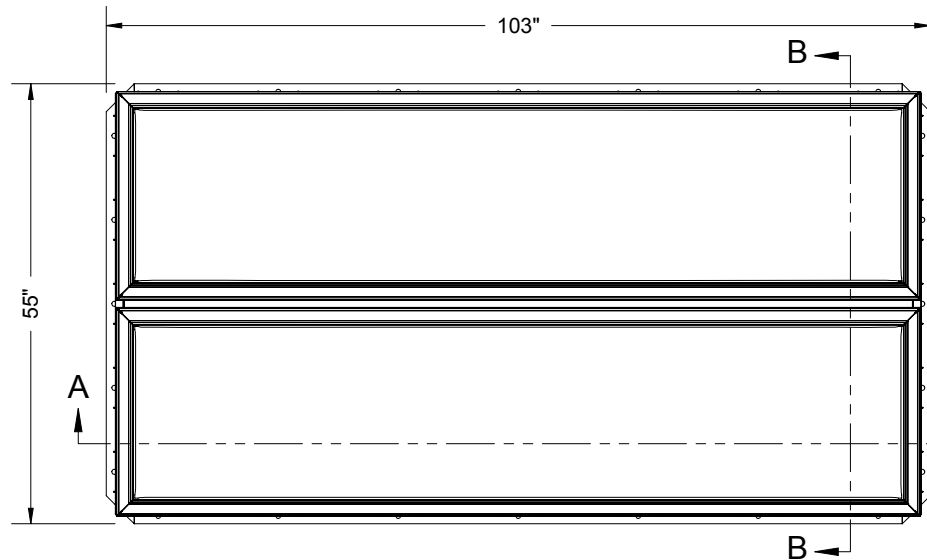
CERTIFICATIONS UL 793 Listed



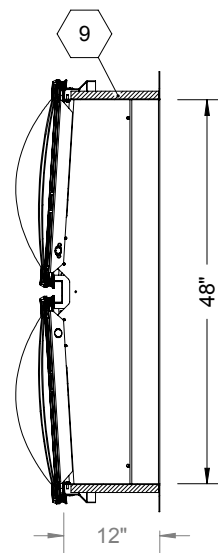
ORDER GUIDE

BASE	WIDTH	X	LENGTH	DOOR	CURB	ELECTRIC	LINK TEMP (°F)	CLOSING	—	OPTIONS
BSVEA		X							—	
	Standard Sizes (W x L) 30" x 30" 36" x 30" 36" x 36" 48" x 48" 48" x 72" 48" x 96"			D Double Leaf Q Quad Leaf	1 Single Wall 2 Double Wall 3 Curb Mount 4 Double Wall no Counterflash 5 Double Wall / Apron Mount 6 Low Profile Curb Mount*	N No Electrical L 24VDC/24VAC H 110VAC / 240VAC	165 350 212 360 280 450	R Rooftop Close	—	Dome, Polycarb. LPW White LPC Clear Double Dome, Polycarb. LPWW White/White LPCW Clear/White Multiwall LMC Clear LMZ Bronze LMB Blue LMG Green

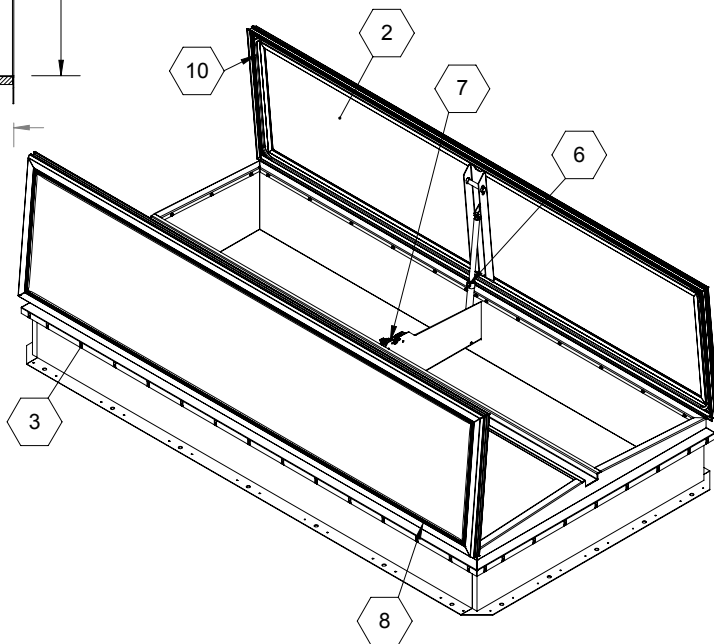
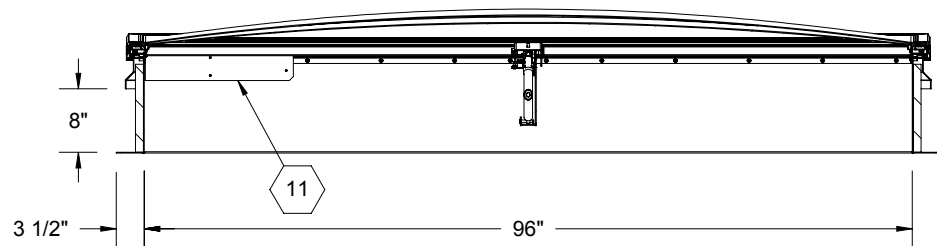
*Note: Low profile curb mount has limited options. Call for more information.



SECTION B-B



SECTION A-A



PATENT PENDING

SPECIFICATIONS:

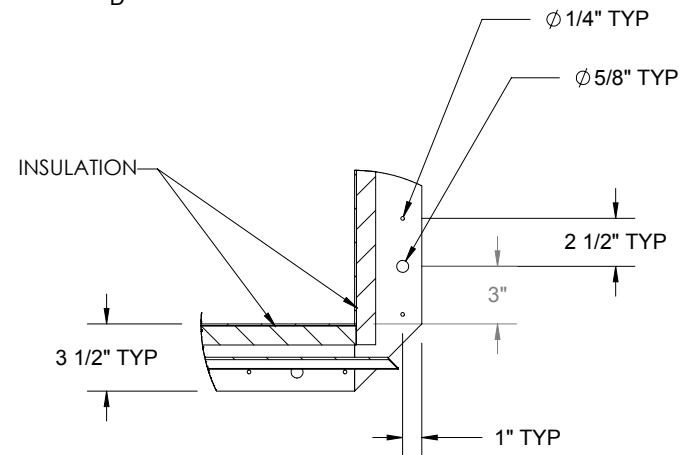
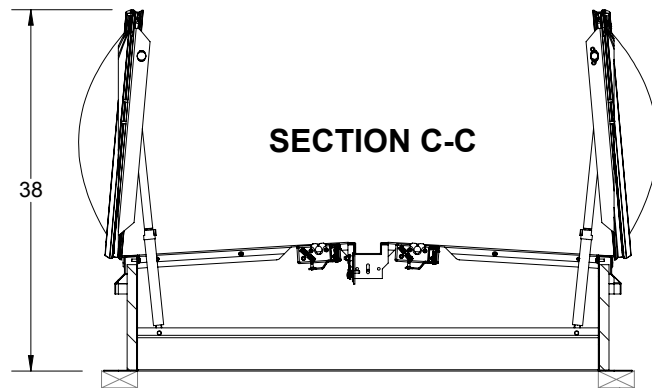
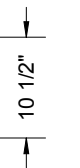
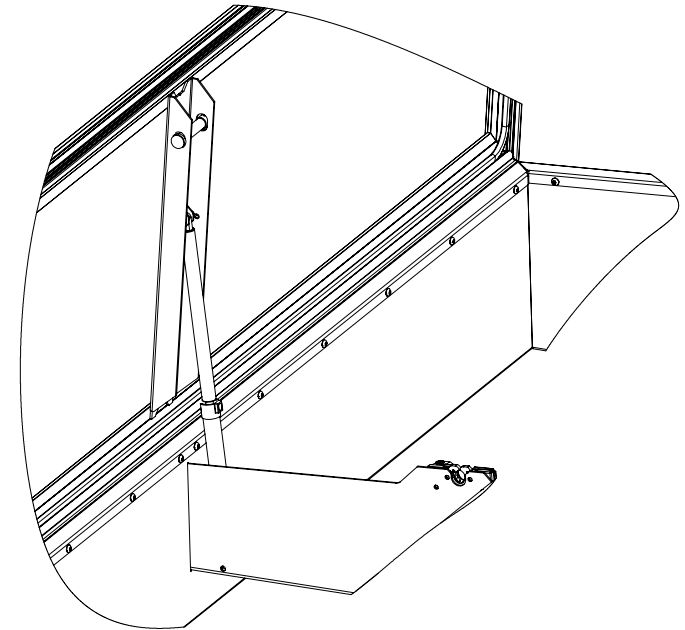
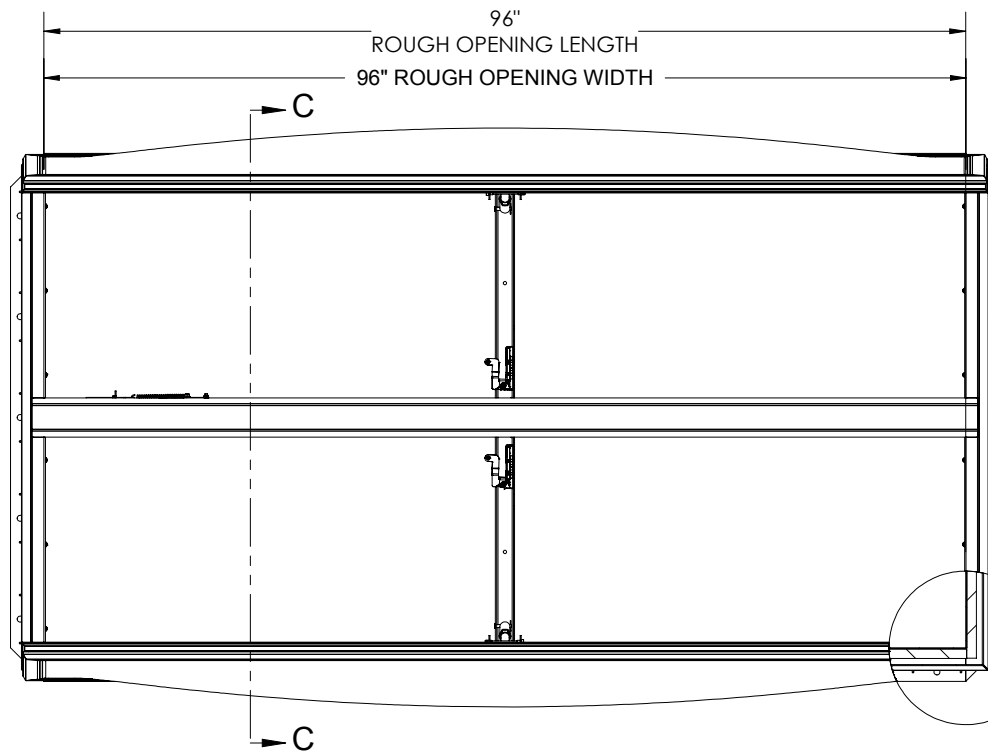
- ① **COVER:** ALUMINUM COVER STIFFENED TO WITHSTAND A LIVE LOAD OF 40 PSF WITH A MAX
- ② **TRANSLUCENT MATERIAL:** Double Dome, Clear over White
- ③ **CURB AND COUNTERFLASH W/ EZ TAB:**
11 GAUGE ALUMINUM
- 4 **FINISH: COVER - Mill**
CURB - Mill
- ⑤ **GAS SPRING WITH DAMPER:** DESIGNED TO OPEN AGAINST A 10PSF SNOW LOAD IN NOT LESS THAN 2 SECONDS
- ⑥ **HOLD OPEN ARM:** LOCK COVER IN FULLY OPEN POSITION
- ⑦ **LATCH:** ZINC PLATED ROTARY LATCH ASSEMBLY DESIGNED TO HOLD COVERS CLOSED AGAINST 90 PSF WIND UPLIFT ZINC PLATED STEEL LATCH STRIKERS ON COVERS

- ⑧ **HINGES:** CONTINUOUS
- ⑨ **INSULATION:** 1" Polyiso curb (R6/LTR5.6)
- ⑩ **GASKET:** ADHESIVE BACKED EPDM RUBBER EXTRUSION
- ⑪ **THERMAL RELEASE MECHANISM:** VENT COVERS OPEN THERMALLY BY HEAT AT FUSIBLE LINK TEMPERATURE 360F°F
- 12 **MANUAL OPERATION:** VENT COVERS OPEN WITH INTERNAL AND EXTERNAL MANUAL PULL HANDLES, 1/16" DIA SST CABLE, CLOSE VENT AT ROOFTOP
- ⑬ **ELECTRICAL RELEASE/CONTROL:** NONE
- ⑭ **BURGLAR BARS:** N/A


SMOKE VENT SIZE 48"(WIDTH) x 96"(LENGTH)

PROPRIETARY AND CONFIDENTIAL: THE INFORMATION CONTAINED IN THIS DRAWING IS THE SOLE PROPERTY OF BABCOCK-DAVIS. ANY REPRODUCTION IN PART OR AS A WHOLE WITHOUT THE WRITTEN PERMISSION OF BABCOCK-DAVIS IS PROHIBITED.

PROJECT:			
ARCHITECT:			
CONTRACTOR:			
QTY:			
PART#:		BSVEA48X96D1N165R-LPCW	
TITLE:		Smoke Vent, SunLit Eco 48x96, Dbl Dr, Dbl Dome Clr/White Alum, Mill, Sngl Wall Curb,	
NAME	DATE	SIZE	DWG. NO.
DRAWN	SGS	12/21/16	A
RELEASED	IMT	12/21/16	BSVEA48X96D1N165R-LPCW
WEIGHT: 248.3 LBS			REV -
SHEET 1 OF 2			



CONCRETE/WOOD/OTHER MATERIAL PROVIDED BY OTHER NIC

 For more information, contact us at info@bestroofhatches.com or call us at 1-800-431-8651				TITLE: Smoke Vent, SunLit Eco 48x96, Dbl Dr, Dbl Dome Clr/White Alum, Mill, Sngl Wall Curb,	
NAME	DATE	SIZE	DWG. NO.	REV	
SGS	12/21/16	A	BSVEA48X96D1N165R-LPCW	-	
RELEASED	IMT	12/21/16	WEIGHT: 248.3 LBS	SHEET 2 OF 2	