

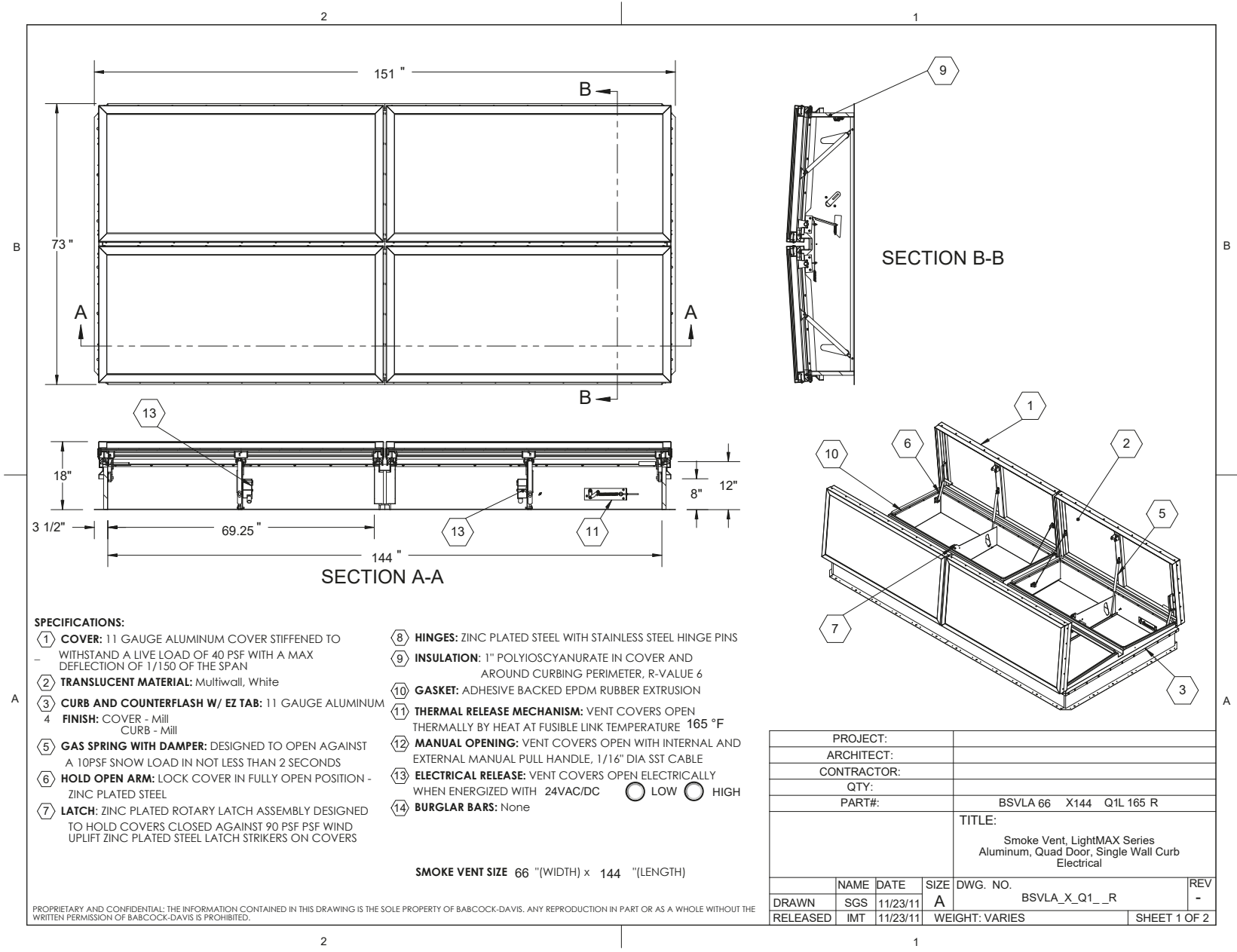
# BEST ROOF HATCHES

ALUMINUM QUAD DOOR  
LIGHTMAX™ SMOKE VENT, ROOFTOP  
CLOSE WITH ELECTRICAL OPENING  
MECHANISM

CATEGORY: SMOKE VENTS

SKU: BSVLA-Q1R

 babcockdavis



PROJECT:		
ARCHITECT:		
CONTRACTOR:		
QTY:		
PART#:		BSVLA 66 X144 Q1L 165 R
TITLE:		Smoke Vent, LightMAX Series Aluminum, Quad Door, Single Wall Curb Electrical
NAME	DATE	SIZE
SGS	11/23/11	A
DRAWN	IMT	11/23/11
RELEASED	IMT	11/23/11
DWG. NO.		BSVLA_X_Q1_R
WEIGHT: VARIES		SHEET 1 OF 2

 TOLL FREE PHONE:  
1-800-431-8651

 EMAIL:  
info@bestroofhatches.com

 FAX:  
1-888-828-6021

www.BestRoofHatches.com