

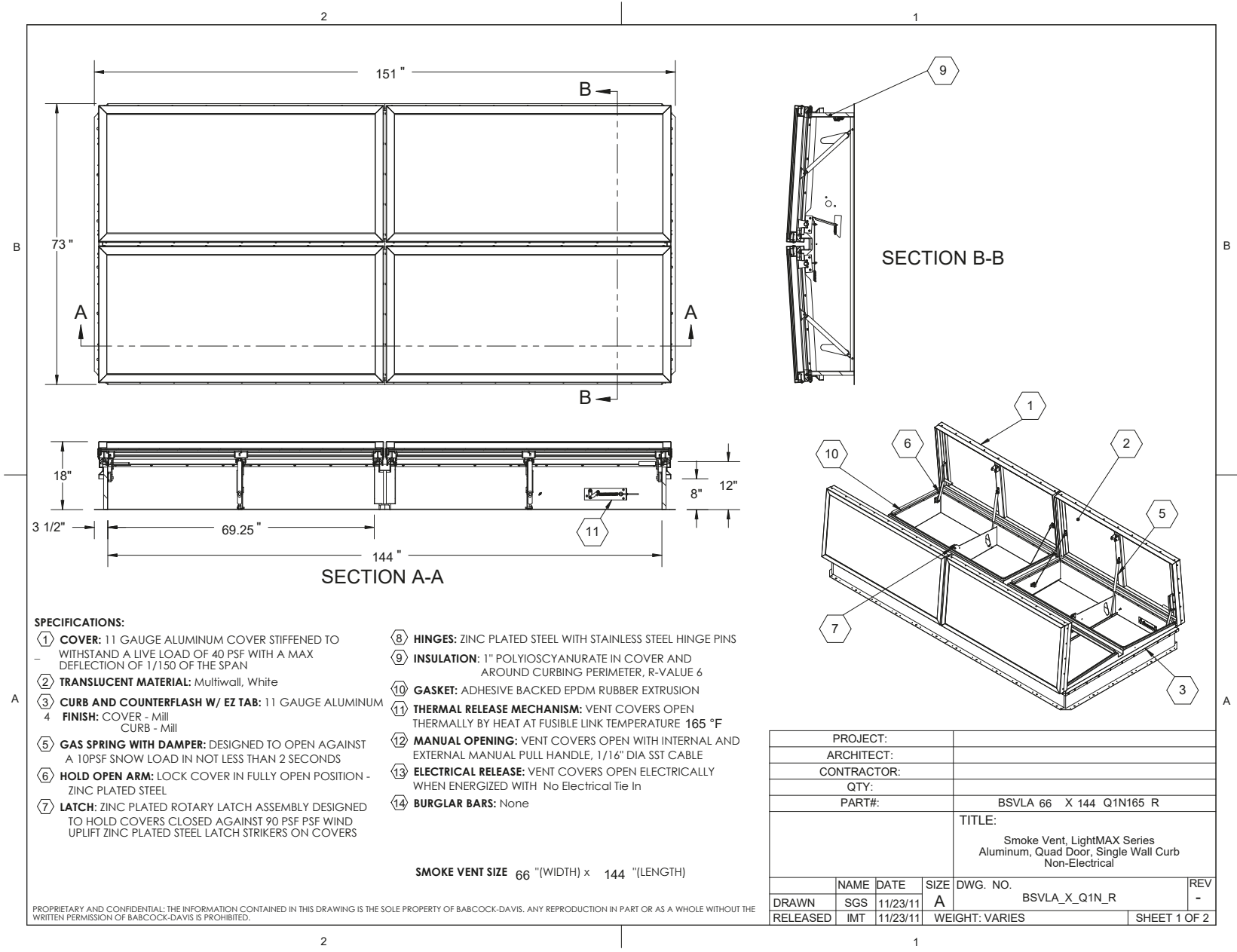
# BEST ROOF HATCHES

## ALUMINUM QUAD DOOR LIGHTMAX™ SMOKE VENT, ROOFTOP CLOSE

CATEGORY: SMOKE VENTS

SKU: BSVLA-QNR

 babcockdavis



**SPECIFICATIONS:**

- ① **COVER:** 11 GAUGE ALUMINUM COVER STIFFENED TO WITHSTAND A LIVE LOAD OF 40 PSF WITH A MAX DEFLECTION OF 1/150 OF THE SPAN
- ② **TRANSLUCENT MATERIAL:** Multiwall, White
- ③ **CURB AND COUNTERFLASH W/ EZ TAB:** 11 GAUGE ALUMINUM
- ④ **FINISH:** COVER - Mill  
CURB - Mill
- ⑤ **GAS SPRING WITH DAMPER:** DESIGNED TO OPEN AGAINST A 10PSF SNOW LOAD IN NOT LESS THAN 2 SECONDS
- ⑥ **HOLD OPEN ARM:** LOCK COVER IN FULLY OPEN POSITION - ZINC PLATED STEEL
- ⑦ **LATCH:** ZINC PLATED ROTARY LATCH ASSEMBLY DESIGNED TO HOLD COVERS CLOSED AGAINST 90 PSF PSF WIND UPLIFT ZINC PLATED STEEL LATCH STRIKERS ON COVERS
- ⑧ **HINGES:** ZINC PLATED STEEL WITH STAINLESS STEEL HINGE PINS
- ⑨ **INSULATION:** 1" POLYISOCYANURATE IN COVER AND AROUND CURBING PERIMETER, R-VALUE 6
- ⑩ **GASKET:** ADHESIVE BACKED EPDM RUBBER EXTRUSION
- ⑪ **THERMAL RELEASE MECHANISM:** VENT COVERS OPEN THERMALLY BY HEAT AT FUSIBLE LINK TEMPERATURE 165 °F
- ⑫ **MANUAL OPENING:** VENT COVERS OPEN WITH INTERNAL AND EXTERNAL MANUAL PULL HANDLE, 1/16" DIA SST CABLE
- ⑬ **ELECTRICAL RELEASE:** VENT COVERS OPEN ELECTRICALLY WHEN ENERGIZED WITH No Electrical Tie In
- ⑭ **BURGLAR BARS:** None

SMOKE VENT SIZE 66 "(WIDTH) x 144 "(LENGTH)

PROPRIETARY AND CONFIDENTIAL: THE INFORMATION CONTAINED IN THIS DRAWING IS THE SOLE PROPERTY OF BABCOCK-DAVIS. ANY REPRODUCTION IN PART OR AS A WHOLE WITHOUT THE WRITTEN PERMISSION OF BABCOCK-DAVIS IS PROHIBITED.

PROJECT:		
ARCHITECT:		
CONTRACTOR:		
QTY:		
PART#:		BSVLA 66 X 144 Q1N165 R
TITLE:		Smoke Vent, LightMAX Series Aluminum, Quad Door, Single Wall Curb Non-Electrical
NAME	DATE	SIZE DWG. NO.
SGS	11/23/11	A BSVLA_X_Q1N_R
RELEASED	IMT	11/23/11 WEIGHT: VARIES SHEET 1 OF 2

 TOLL FREE PHONE:  
1-800-431-8651

 EMAIL:  
info@bestroofhatches.com

 FAX:  
1-888-828-6021

www.BestRoofHatches.com