

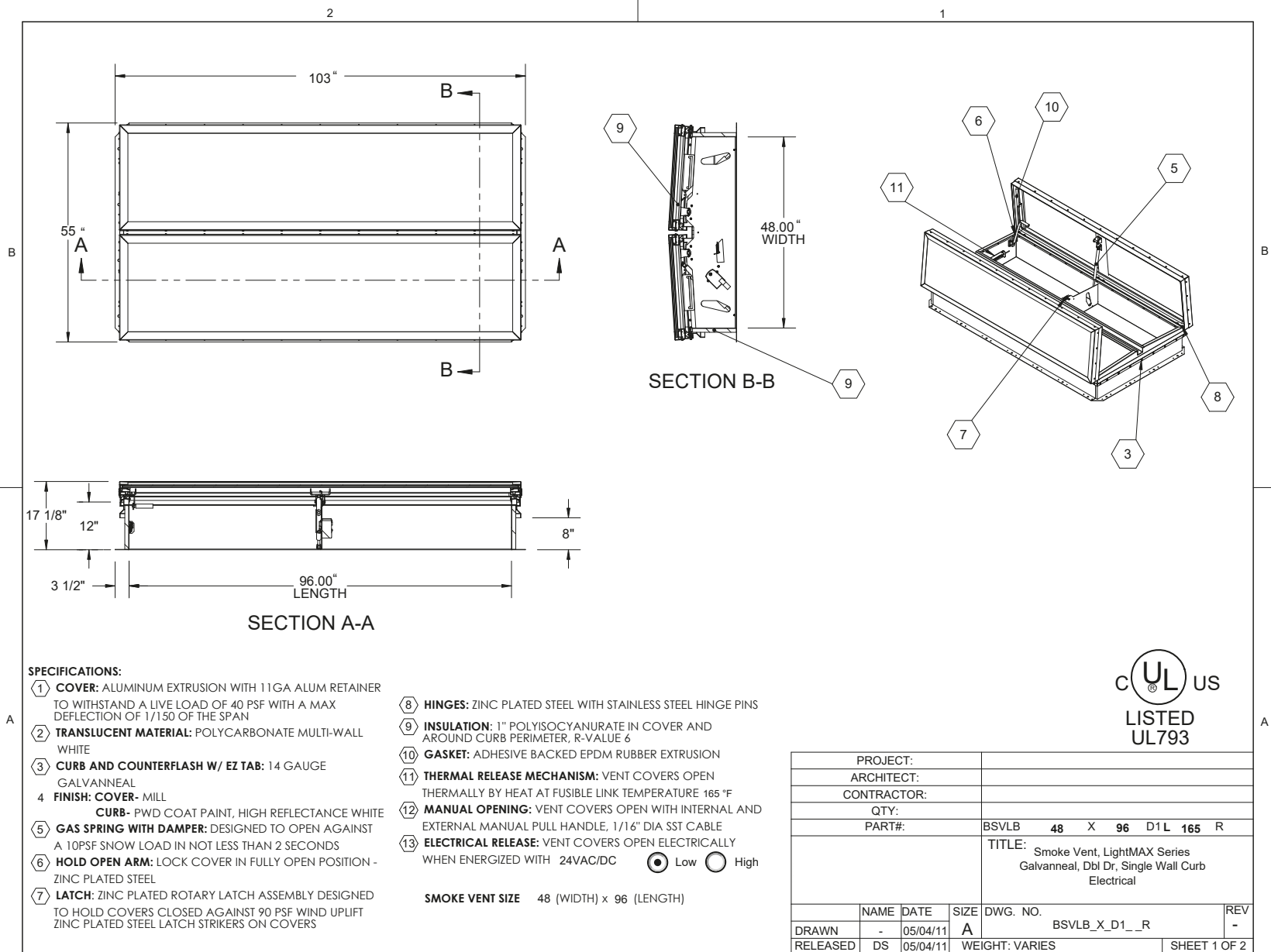
# BEST ROOF HATCHES

ALUMINUM COVER & GALVANIZED STEEL DOUBLE DOOR LIGHTMAX™ SMOKE VENT, ROOFTOP CLOSE WITH ELECTRICAL OPENING MECHANISM

CATEGORY: SMOKE VENTS

SKU: BSVLB-D1R

 babcockdavis



 **TOLL FREE PHONE:**  
1-800-431-8651

 **EMAIL:**  
info@bestroofhatches.com

 **FAX:**  
1-888-828-6021

[www.BestRoofHatches.com](http://www.BestRoofHatches.com)