

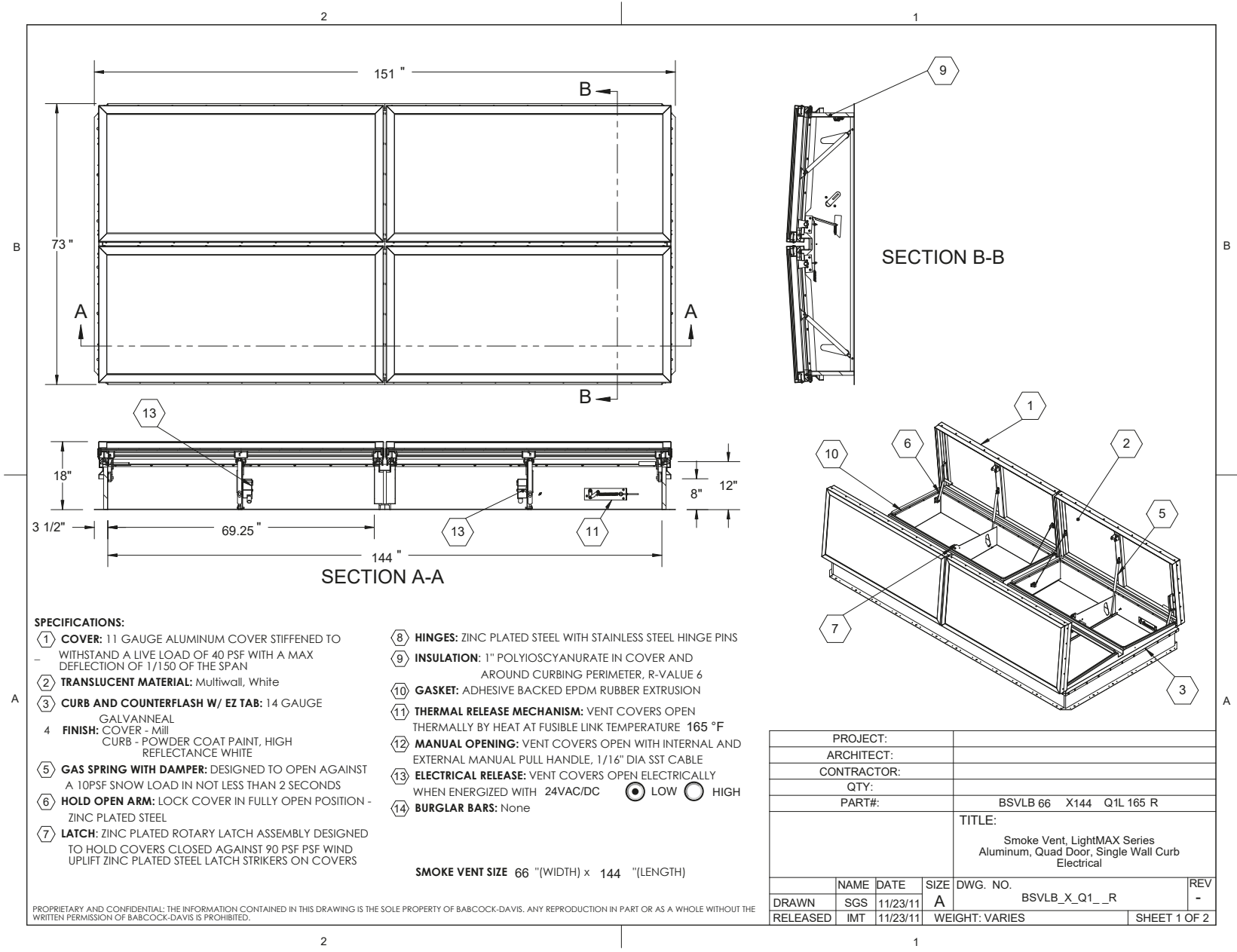
BEST ROOF HATCHES

ALUMINUM COVER & GALVANIZED STEEL QUAD DOOR LIGHTMAX™ SMOKE VENT, ROOFTOP CLOSE WITH ELECTRICAL OPENING MECHANISM

CATEGORY: SMOKE VENTS

SKU: BSVLB-Q1R

 babcockdavis



SPECIFICATIONS:

- ① **COVER:** 11 GAUGE ALUMINUM COVER STIFFENED TO WITHSTAND A LIVE LOAD OF 40 PSF WITH A MAX DEFLECTION OF 1/150 OF THE SPAN
- ② **TRANSLUCENT MATERIAL:** Multiwall, White
- ③ **CURB AND COUNTERFLASH W/ EZ TAB:** 14 GAUGE GALVANNEAL
- ④ **FINISH:** COVER - Mill
CURB - POWDER COAT PAINT, HIGH REFLECTANCE WHITE
- ⑤ **GAS SPRING WITH DAMPER:** DESIGNED TO OPEN AGAINST A 10PSF SNOW LOAD IN NOT LESS THAN 2 SECONDS
- ⑥ **HOLD OPEN ARM:** LOCK COVER IN FULLY OPEN POSITION - ZINC PLATED STEEL
- ⑦ **LATCH:** ZINC PLATED ROTARY LATCH ASSEMBLY DESIGNED TO HOLD COVERS CLOSED AGAINST 90 PSF PSF WIND UPLIFT ZINC PLATED STEEL LATCH STRIKERS ON COVERS
- ⑧ **HINGES:** ZINC PLATED STEEL WITH STAINLESS STEEL HINGE PINS
- ⑨ **INSULATION:** 1" POLYIOSCYANURATE IN COVER AND AROUND CURBING PERIMETER, R-VALUE 6
- ⑩ **GASKET:** ADHESIVE BACKED EPDM RUBBER EXTRUSION
- ⑪ **THERMAL RELEASE MECHANISM:** VENT COVERS OPEN THERMALLY BY HEAT AT FUSIBLE LINK TEMPERATURE 165 °F
- ⑫ **MANUAL OPENING:** VENT COVERS OPEN WITH INTERNAL AND EXTERNAL MANUAL PULL HANDLE, 1/16" DIA SST CABLE
- ⑬ **ELECTRICAL RELEASE:** VENT COVERS OPEN ELECTRICALLY WHEN ENERGIZED WITH 24VAC/DC LOW HIGH
- ⑭ **BURGLAR BARS:** None

SMOKE VENT SIZE 66 "(WIDTH) x 144 "(LENGTH)

PROPRIETARY AND CONFIDENTIAL: THE INFORMATION CONTAINED IN THIS DRAWING IS THE SOLE PROPERTY OF BABCOCK-DAVIS. ANY REPRODUCTION IN PART OR AS A WHOLE WITHOUT THE WRITTEN PERMISSION OF BABCOCK-DAVIS IS PROHIBITED.

PROJECT:			
ARCHITECT:			
CONTRACTOR:			
QTY:			
PART#:		BSVLB 66 X144 Q1L 165 R	
TITLE:		Smoke Vent, LightMAX Series Aluminum, Quad Door, Single Wall Curb Electrical	
NAME	DATE	SIZE	DWG. NO.
SGS	11/23/11	A	BSVLB_X_Q1_R
RELEASED	IMT	11/23/11	WEIGHT: VARIES
			SHEET 1 OF 2

 TOLL FREE PHONE:
1-800-431-8651

 EMAIL:
info@bestroofhatches.com

 FAX:
1-888-828-6021

www.BestRoofHatches.com