

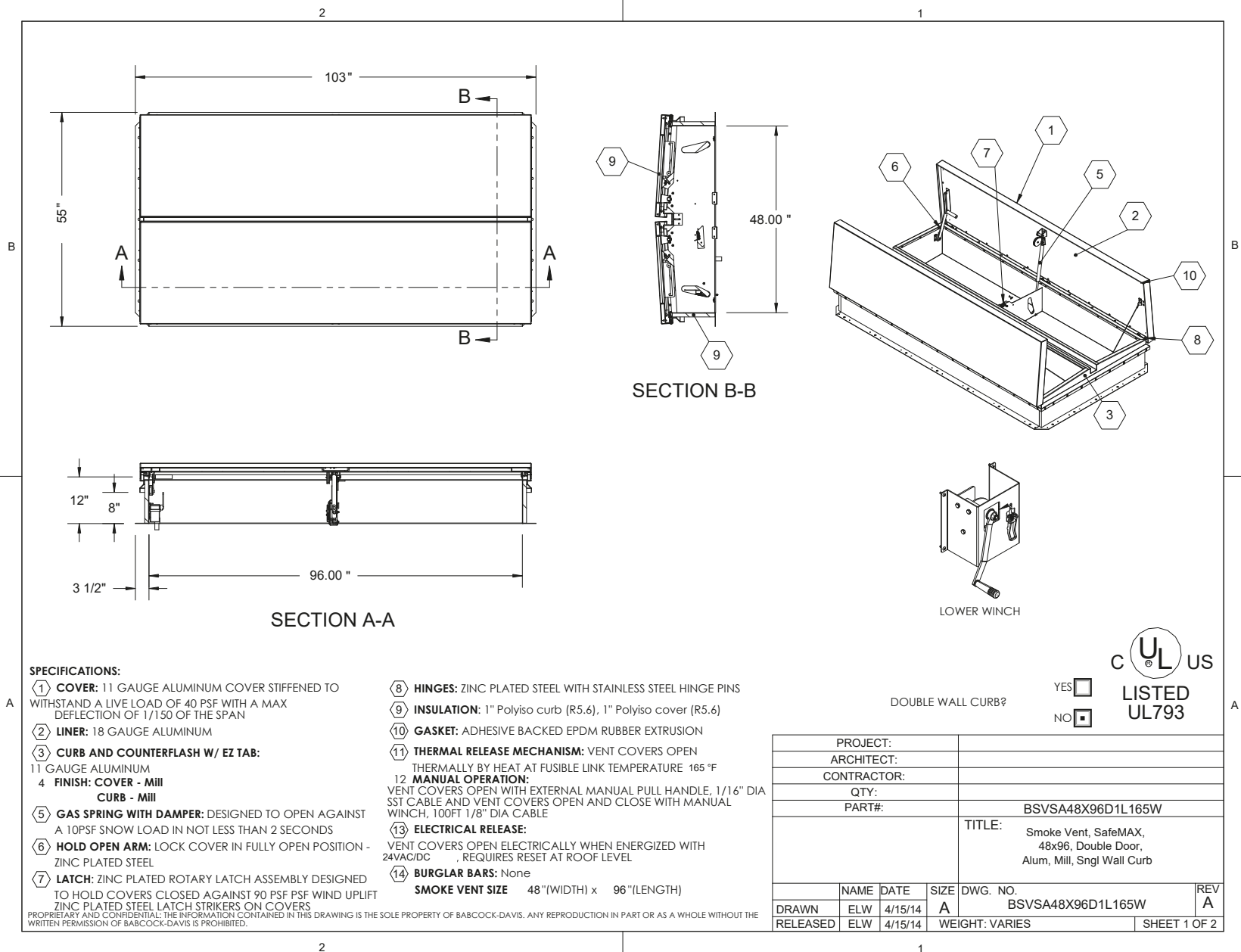
BEST ROOF HATCHES

ALUMINUM DOUBLE DOOR
SAFEMAX™ SMOKE VENT, WINCH
CLOSE WITH ELECTRICAL OPENING
MECHANISM

CATEGORY: SMOKE VENTS

SKU: BSVSA-D1W

 babcockdavis



 **TOLL FREE PHONE:**
1-800-431-8651

 **EMAIL:**
info@bestroofhatches.com

 **FAX:**
1-888-828-6021

www.BestRoofHatches.com