

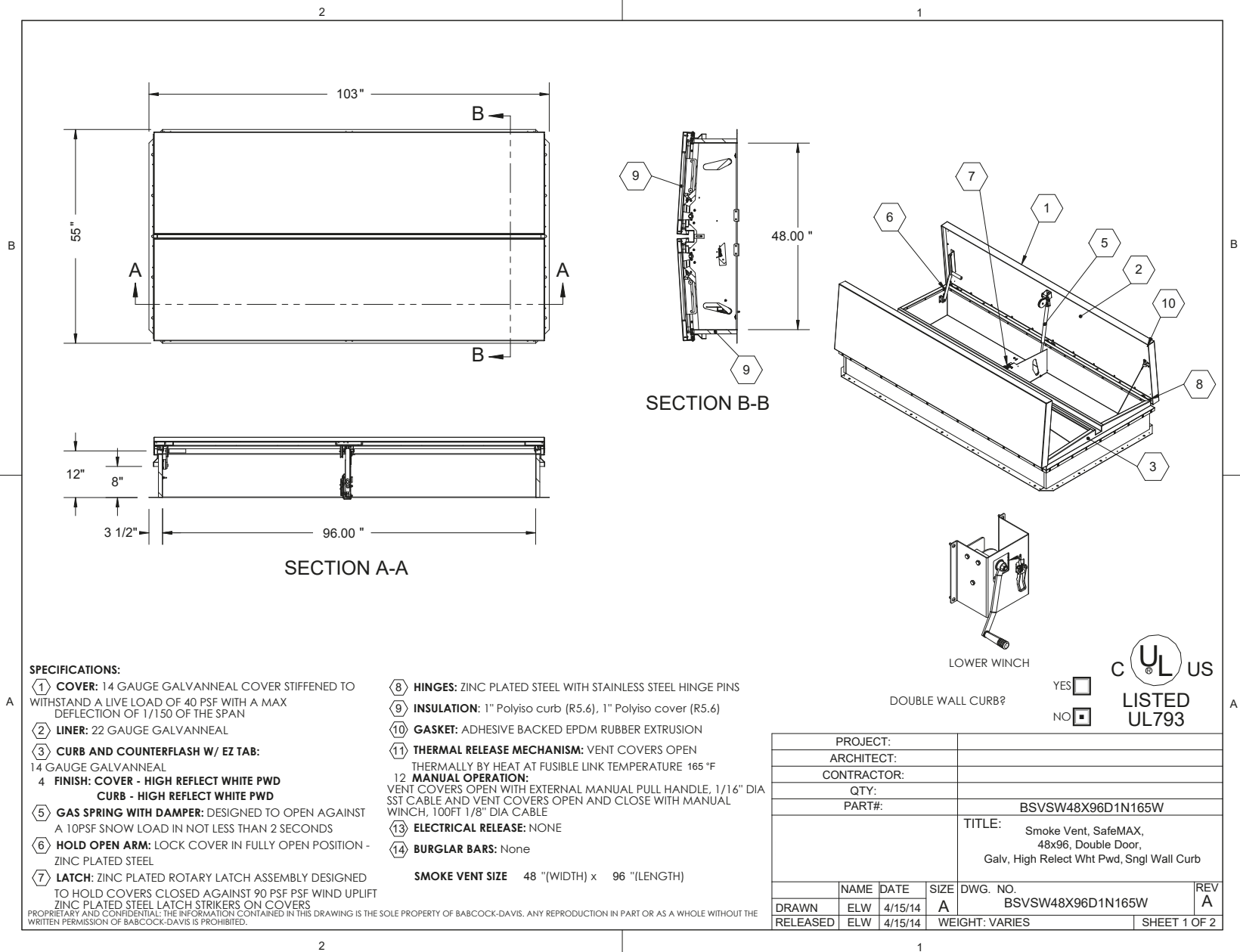
BEST ROOF HATCHES

GALVANIZED STEEL DOUBLE DOOR SAFEMAX™ SMOKE VENT, WINCH CLOSE

CATEGORY: SMOKE VENTS

SKU: BSVSW-DNW

babcockdavis



PROJECT:			
ARCHITECT:			
CONTRACTOR:			
QTY:			
PART#:		BSVSW48X96D1N165W	
TITLE:		Smoke Vent, SafeMAX, 48x96, Double Door, Galv, High Relect Wht Pwd, Sngl Wall Curb	
NAME	DATE	SIZE	DWG. NO.
ELW	4/15/14	A	BSVSW48X96D1N165W
RELEASED	ELW	4/15/14	WEIGHT: VARIES

TOLL FREE PHONE:
1-800-431-8651

EMAIL:
info@bestroofhatches.com

FAX:
1-888-828-6021

www.BestRoofHatches.com