

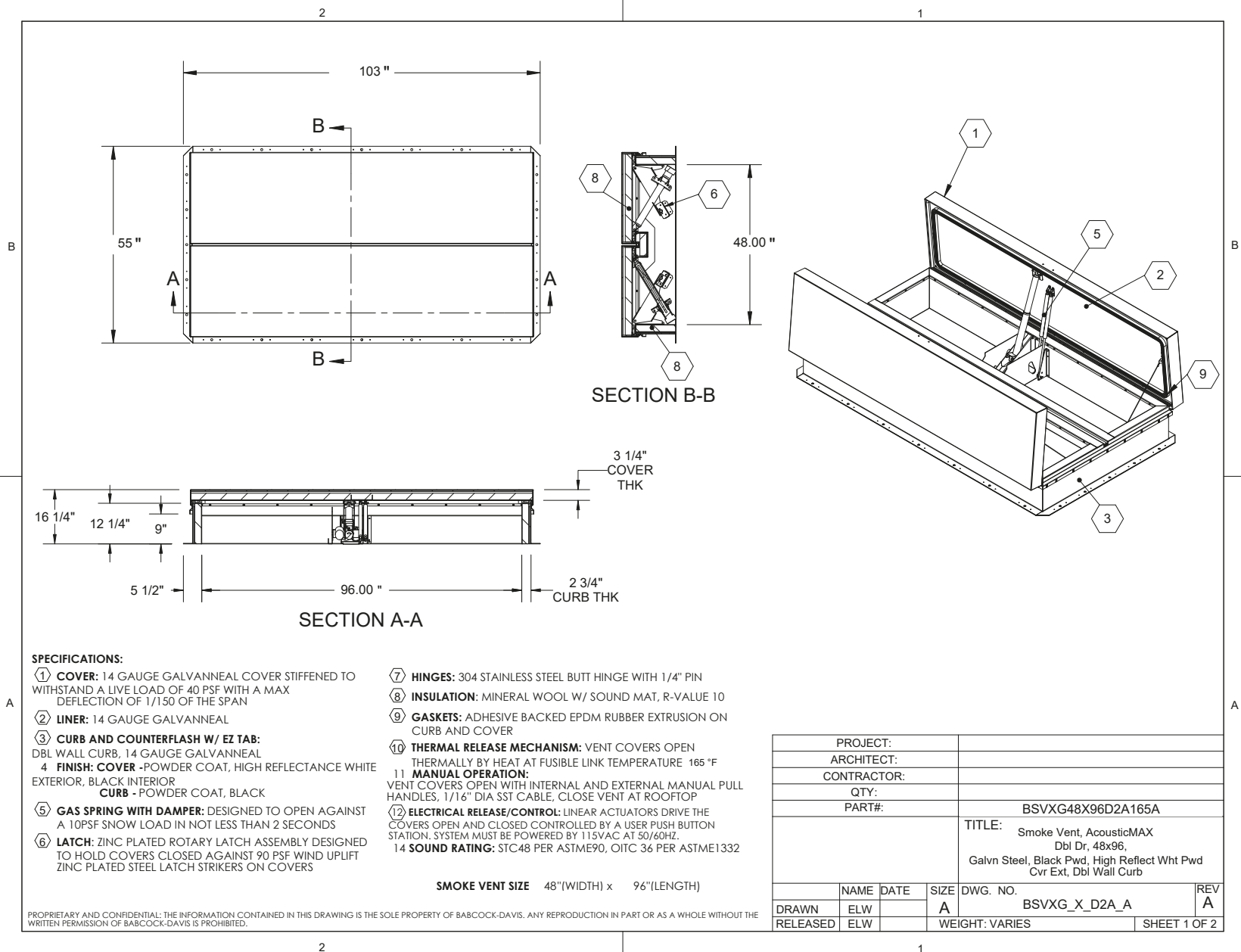
BEST ROOF HATCHES

**GALVANIZED STEEL DOUBLE DOOR
ACOUSTICMAX™ 48 SMOKE
VENT WITH ELECTRICAL OPENING
MECHANISM**

CATEGORY: SMOKE VENTS

SKU: BSVX-D2A

babcockdavis



TOLL FREE PHONE:
1-800-431-8651

EMAIL:
info@bestroofhatches.com

FAX:
1-888-828-6021

www.BestRoofHatches.com