

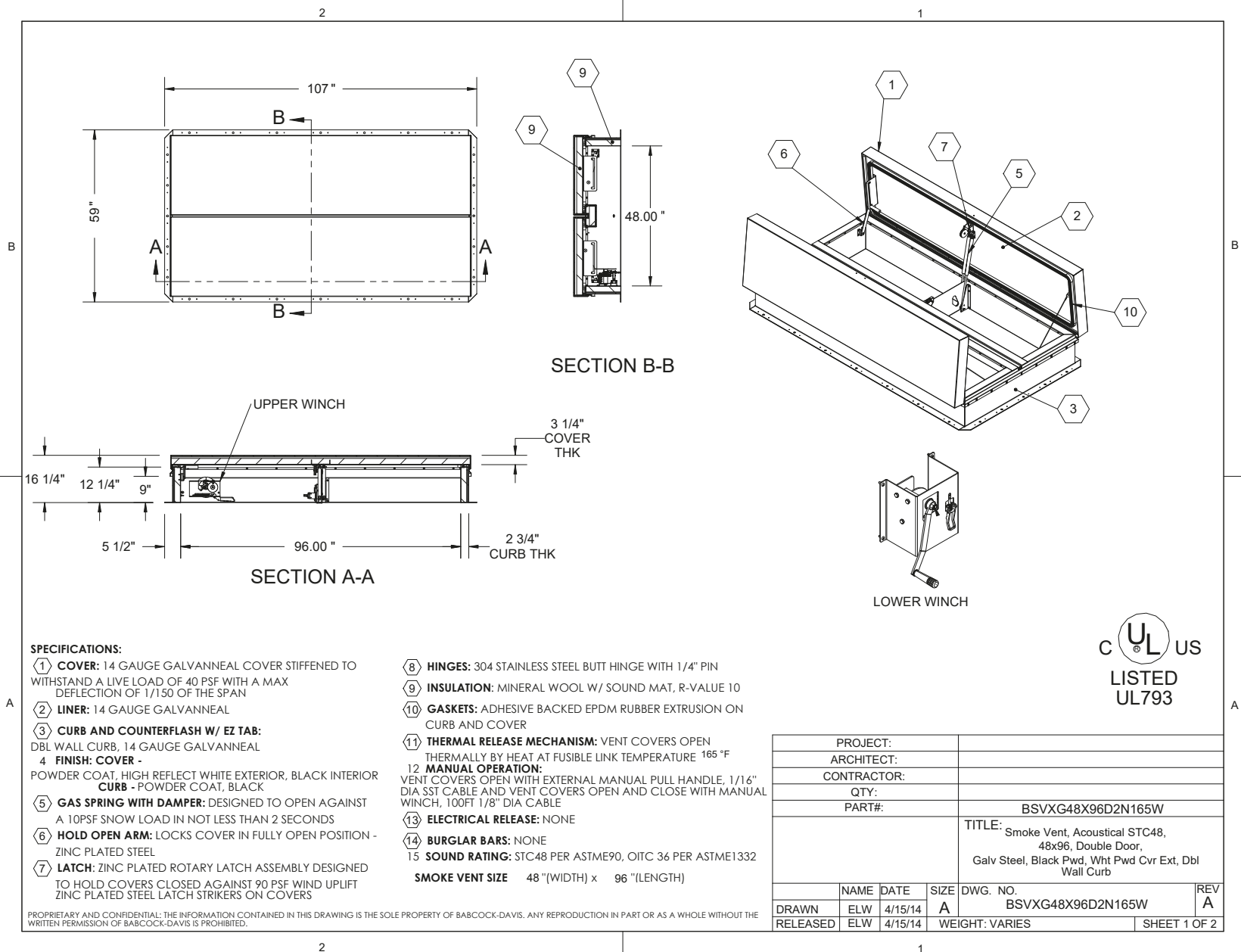
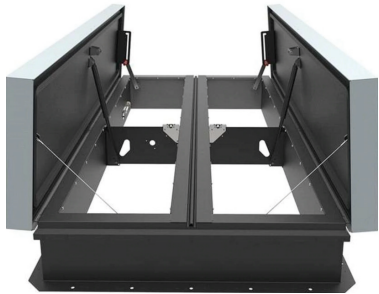
# BEST ROOF HATCHES

**GALVANIZED STEEL DOUBLE DOOR ACOUSTICMAX™ 48 SMOKE VENT, MANUAL WINCH**

**CATEGORY: SMOKE VENTS**

**SKU: BSVX-DNW**

**babcockdavis**



**TOLL FREE PHONE:**  
1-800-431-8651

**EMAIL:**  
info@bestroofhatches.com

**FAX:**  
1-888-828-6021

**www.BestRoofHatches.com**