

BEST ROOF HATCHES

**GALVANIZED STEEL DOUBLE DOOR
ACOUSTICMAX™ 50 SMOKE VENT,
LINEAR ACTUATOR WITH ELECTRICAL
OPENING MECHANISM**

CATEGORY: SMOKE VENTS

SKU: BSVY-D2A

babcockdavis



DETAILS

SOUND RATING(S) Independent third party tested to ASTM E90 and ASTM E1332

- BSVX: STC 48 - OITC 36
- BSVY: STC 50 - OITC 39

MATERIAL 14 gauge galvaneal steel; powder coat

FINISH High Reflectance White exterior cover with black interior liner and black curb

COVER Metal with liner, withstands a live load of 40psf with a max deflection of 1/150 the span

CURB Double wall curb with EZ tab counterflash and mounting flange

INSULATION Mineral wool and sound mat in cover and curb

- BSVX: Total R-10
- BSVY: Total R-14

GASKET Extruded EPDM adhesive backed gasket seals

HINGE Stainless steel heavy duty pintle hinge

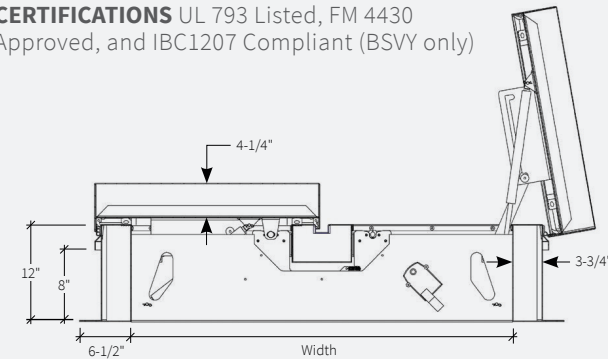
SPRING Gas spring with damper opens cover against 10psf snow load

HOLD OPEN ARM Zinc plated steel automatic hold open arm locks cover in open position

LATCH Zinc plated steel rotary latch designed to hold covers closed against 90psf wind uplift

OPERATION Opens automatically with a fusible link and manual pull handles

CERTIFICATIONS UL 793 Listed, FM 4430 Approved, and IBC1207 Compliant (BSVY only)



ORDER GUIDE

| BASE | RATING | MATERIAL | WIDTH | X | LENGTH | DOOR | CURB | ELECTRIC | LINK TEMP (°F) | CLOSING | — | OPTIONS |
|------------|------------------------------------|-----------------------------|---|----------|--------|--|---|--|---|--|---|---|
| BSV | | G | | X | | | | | | | — | |
| | X STC 48 Y STC 50 | G Galvaneal Steel | Standard Sizes (W x L) 48" x 48" 48" x 72" 48" x 96" 60" x 60" 60" x 96" 60" x 120" 72" x 72" 72" x 96" | | | D Double Door Q Quad Door | 2 Double Wall 3 Curb Mount | N No Electrical L 24VDC/24VAC H 110VAC / 240VAC | 165 350 212 360 280 450 | R Rooftop Close W Manual Winch A Linear Actuator* | | SFM FM Labeled OP1 Door Position Sensor B Burglar Bars |
| | | | <i>Additional size options also available.</i> | | | | | | | | | <i>*Voids UL</i> |



TOLL FREE PHONE:
1-800-431-8651



EMAIL:
info@bestroofhatches.com



FAX:
1-888-828-6021

www.BestRoofHatches.com