

# AcousticMAX™ (STC 48/STC 50)

## SMOKE VENT

Block the intrusion of exterior environmental noise with Babcock-Davis' AcousticMAX Smoke Vent. Perfect for theaters and performing arts centers; every detail is designed with precision.

### FEATURES

**SUPERIOR THERMAL PERFORMANCE** The BSVY AcousticMAX R-14 energy-efficient smoke vent is designed to save money with reduced heat loss.

**INNOVATIVE SOUND CONTROL** Designed to keep out unwanted noises ensuring acoustical integrity when all you want to hear is the performance.

**PREFINISHED BLACK INTERIOR** Eliminate field painting hassle with the prefinished interior that seamlessly integrates into the ceiling.



### DETAILS

**SOUND RATING(S)** Independent third party tested to ASTM E90 and ASTM E1332

- BSVX: STC 48 - OITC 36
- BSVY: STC 50 - OITC 39

**MATERIAL** 14 gauge galvaneal steel; powder coat

**FINISH** High Reflectance White exterior cover with black interior liner and black curb

**COVER** Metal with liner, withstands a live load of 40psf with a max deflection of 1/150 the span

**CURB** Double wall curb with EZ tab counterflash and mounting flange

**INSULATION** Mineral wool and sound mat in cover and curb

- BSVX: Total R-10
- BSVY: Total R-14

**GASKET** Extruded EPDM adhesive backed gasket seals

**HINGE** Stainless steel heavy duty pintle hinge

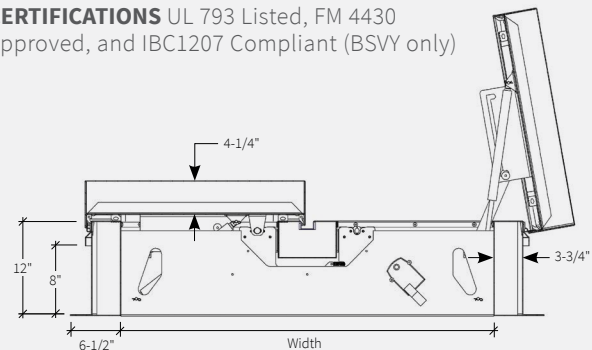
**SPRING** Gas spring with damper opens cover against 10psf snow load

**HOLD OPEN ARM** Zinc plated steel automatic hold open arm locks cover in open position

**LATCH** Zinc plated steel rotary latch designed to hold covers closed against 90psf wind uplift

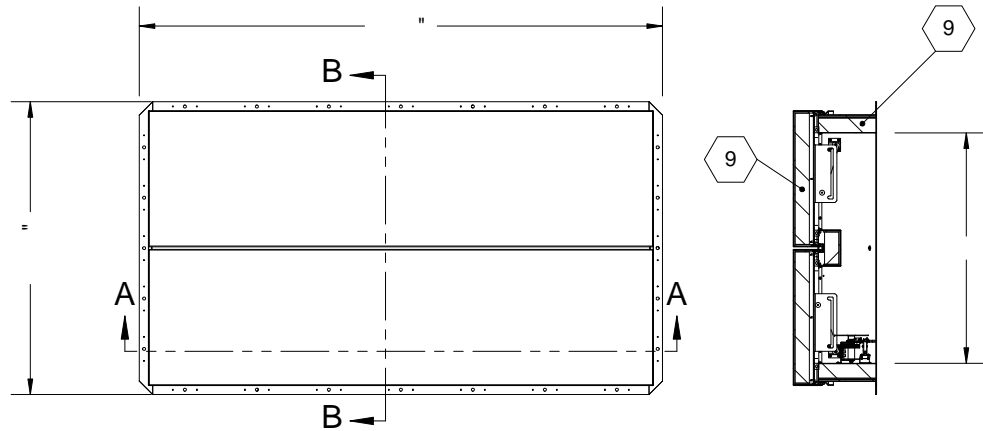
**OPERATION** Opens automatically with a fusible link and manual pull handles

**CERTIFICATIONS** UL 793 Listed, FM 4430 Approved, and IBC1207 Compliant (BSVY only)

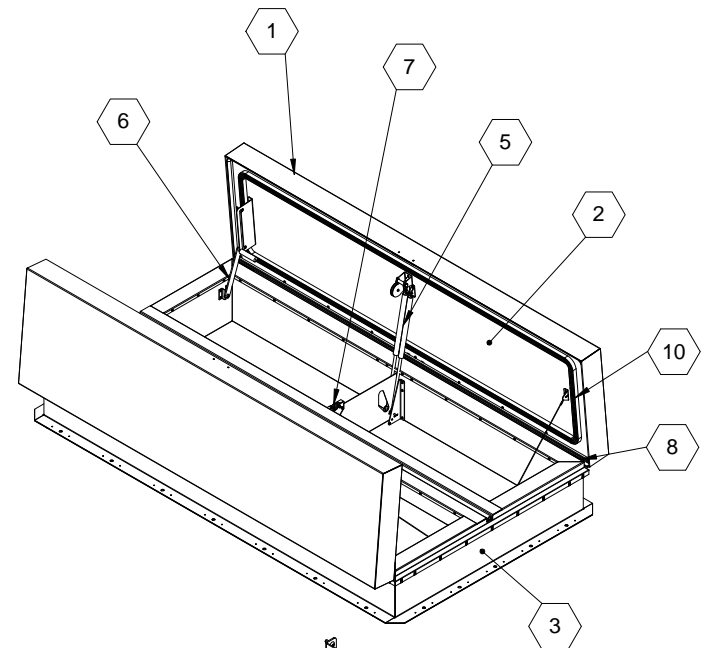


### ORDER GUIDE

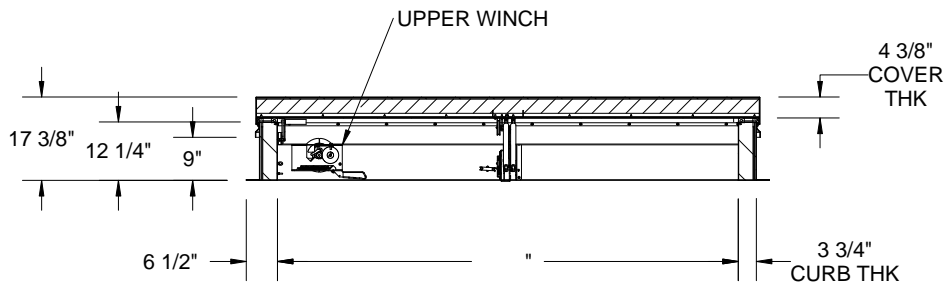
BASE	RATING	MATERIAL	WIDTH	X	LENGTH	DOOR	CURB	ELECTRIC	LINK TEMP (°F)	CLOSING	—	OPTIONS
<b>BSV</b>		<b>G</b>		<b>X</b>							—	
	<b>X</b> STC 48 <b>Y</b> STC 50	<b>G</b> Galvaneal Steel	<b>Standard Sizes (W x L)</b> 48" x 48"   48" x 72"   48" x 96" 60" x 60"   60" x 96"   60" x 120" 72" x 72"   72" x 96"			<b>D</b> Double Door <b>Q</b> Quad Door	<b>2</b> Double Wall <b>3</b> Curb Mount	<b>N</b> No Electrical <b>L</b> 24VDC/24VAC <b>H</b> 110VAC / 240VAC	<b>165</b> <b>350</b> <b>212</b> <b>360</b> <b>280</b> <b>450</b>	<b>R</b> Rooftop Close <b>W</b> Manual Winch <b>A</b> Linear Actuator*		<b>SFM</b> FM Labeled <b>OP1</b> Door Position Sensor <b>B</b> Burglar Bars
			<i>Additional size options also available.</i>									<i>*Voids UL</i>



SECTION B-B



LOWER WINCH



SECTION A-A

SPECIFICATIONS:

- ① **COVER:** 14 GAUGE GALVANNEAL COVER STIFFENED TO WITHSTAND A LIVE LOAD OF 40 PSF WITH A MAX DEFLECTION OF 1/150 OF THE SPAN
- ② **LINER:** 14 GAUGE GALVANNEAL
- ③ **CURB AND COUNTERFLASH W/ EZ TAB:** DBL WALL CURB, 14 GAUGE GALVANNEAL
- ④ **FINISH: COVER -** POWDER COAT, HIGH REFLECT WHITE, BLACK INTERIOR  
**CURB -** POWDER COAT, BLACK
- ⑤ **GAS SPRING WITH DAMPER:** DESIGNED TO OPEN AGAINST A 10PSF SNOW LOAD IN NOT LESS THAN 2 SECONDS
- ⑥ **HOLD OPEN ARM:** LOCKS COVER IN FULLY OPEN POSITION - ZINC PLATED STEEL
- ⑦ **LATCH:** ZINC PLATED ROTARY LATCH ASSEMBLY DESIGNED TO HOLD COVERS CLOSED AGAINST 90 PSF WIND UPLIFT ZINC PLATED STEEL LATCH STRIKERS ON COVERS
- ⑧ **HINGES:** 304 STAINLESS STEEL BUTT HINGE WITH 1/4" PIN
- ⑨ **INSULATION:** MINERAL WOOL W/ SOUND MAT, R-VALUE 14
- ⑩ **GASKETS:** ADHESIVE BACKED EPDM RUBBER EXTRUSION ON CURB AND COVER
- ⑪ **THERMAL RELEASE MECHANISM:** VENT COVERS OPEN THERMALLY BY HEAT AT FUSIBLE LINK TEMPERATURE 165F °F
- ⑫ **MANUAL OPERATION:** VENT COVERS OPEN WITH EXTERNAL MANUAL PULL HANDLE, 1/16" DIA SST CABLE AND VENT COVERS OPEN AND CLOSE WITH MANUAL WINCH, 100FT 1/8" DIA CABLE
- ⑬ **ELECTRICAL RELEASE:** NONE
- ⑭ **BURGLAR BARS:** NONE
- ⑮ **SOUND RATING:** STC50 PER ASTM E90, OITC 39 PER ASTM E1332

SMOKE VENT SIZE      "(WIDTH) x      "(LENGTH)  
EFFECTIVE VENTING AREA 80%

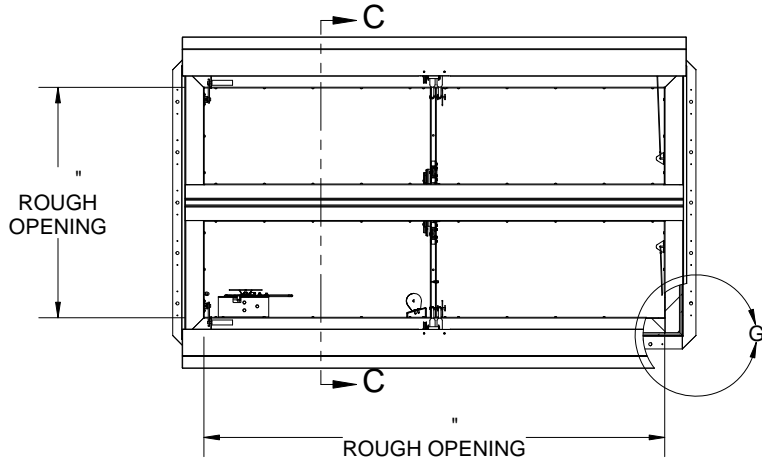


PROJECT:			
ARCHITECT:			
CONTRACTOR:			
QTY:			
PART#:			
		TITLE: Smoke Vent, Acoustical STC50,	
		Galv Steel, Black Pwd, Wht Pwd Cvr Ext, Dbl Wall Curb	
9300 73rd Avenue North Brooklyn Park, MN 55428			
NAME	DATE	SIZE	DWG. NO.
ELW	4/15/14	A	
RELEASED	ELW	4/15/14	WEIGHT: VARIES

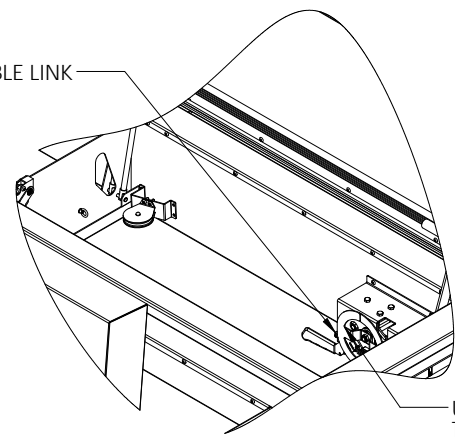
REV A

B

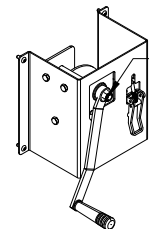
B



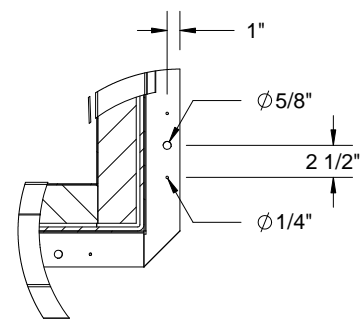
FUSIBLE LINK



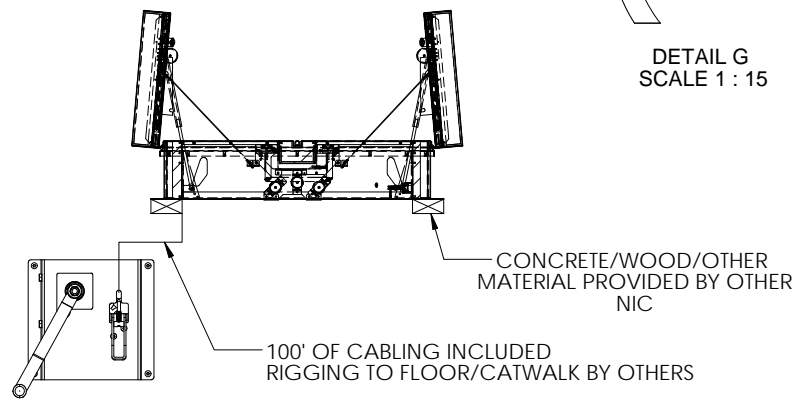
UPPER WINCH ASSEMBLY  
TO FACILITATE RESETING AFTER  
THERMAL/EXTERNAL/ELECTRICAL  
MANUAL RELEASE



LOWER WINCH ASSEMBLY TO MANUALLY  
OPEN AND CLOSE SMOKE VENTS



DETAIL G  
SCALE 1 : 15



**SECTION C-C**

A

A

			TITLE: Smoke Vent, Acoustical STC50,		
9300 73rd Avenue North Brooklyn Park, MN 55428			Galv Steel, Black Pwd, Wht Pwd Cvr Ext, Dbl Wall Curb		
	NAME	DATE	SIZE	DWG. NO.	REV
DRAWN	ELW	4/15/14	A		A
RELEASED	ELW	4/15/14	WEIGHT: VARIES		SHEET 2 OF 2

PROPRIETARY AND CONFIDENTIAL: THE INFORMATION CONTAINED IN THIS DRAWING IS THE SOLE PROPERTY OF BABCOCK-DAVIS. ANY REPRODUCTION IN PART OR AS A WHOLE WITHOUT THE WRITTEN PERMISSION OF BABCOCK-DAVIS IS PROHIBITED.