

# BEST ROOF HATCHES

**GALVANIZED STEEL QUAD DOOR  
ACOUSTICMAX™ 50 SMOKE VENT,  
MANUAL WINCH WITH ELECTRICAL  
OPENING MECHANISM**

**CATEGORY: SMOKE VENTS**

**SKU: BSVY-Q2W**

**babcockdavis**



## DETAILS

**SOUND RATING(S)** Independent third party tested to ASTM E90 and ASTM E1332

- BSVX: STC 48 - OITC 36
- BSVY: STC 50 - OITC 39

**MATERIAL** 14 gauge galvaneal steel; powder coat

**FINISH** High Reflectance White exterior cover with black interior liner and black curb

**COVER** Metal with liner, withstands a live load of 40psf with a max deflection of 1/150 the span

**CURB** Double wall curb with EZ tab counterflash and mounting flange

**INSULATION** Mineral wool and sound mat in cover and curb

- BSVX: Total R-10
- BSVY: Total R-14

**GASKET** Extruded EPDM adhesive backed gasket seals

**HINGE** Stainless steel heavy duty pintle hinge

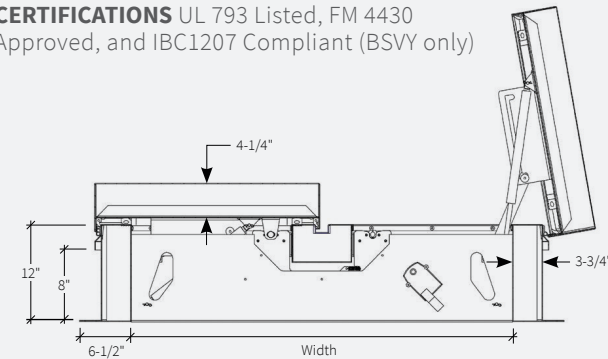
**SPRING** Gas spring with damper opens cover against 10psf snow load

**HOLD OPEN ARM** Zinc plated steel automatic hold open arm locks cover in open position

**LATCH** Zinc plated steel rotary latch designed to hold covers closed against 90psf wind uplift

**OPERATION** Opens automatically with a fusible link and manual pull handles

**CERTIFICATIONS** UL 793 Listed, FM 4430 Approved, and IBC1207 Compliant (BSVY only)



## ORDER GUIDE

BASE	RATING	MATERIAL	WIDTH	X	LENGTH	DOOR	CURB	ELECTRIC	LINK TEMP (°F)	CLOSING	—	OPTIONS
<b>BSV</b>		<b>G</b>		<b>X</b>							—	
	<b>X</b> STC 48 <b>Y</b> STC 50	<b>G</b> Galvaneal Steel	<b>Standard Sizes (W x L)</b> 48" x 48"   48" x 72"   48" x 96" 60" x 60"   60" x 96"   60" x 120" 72" x 72"   72" x 96"			<b>D</b> Double Door <b>Q</b> Quad Door	<b>2</b> Double Wall <b>3</b> Curb Mount	<b>N</b> No Electrical <b>L</b> 24VDC/24VAC <b>H</b> 110VAC / 240VAC	<b>165</b> <b>350</b> <b>212</b> <b>360</b> <b>280</b> <b>450</b>	<b>R</b> Rooftop Close <b>W</b> Manual Winch <b>A</b> Linear Actuator*		<b>SFM</b> FM Labeled <b>OP1</b> Door Position Sensor <b>B__</b> Burglar Bars
			<i>Additional size options also available.</i>									<i>*Voids UL</i>

**TOLL FREE PHONE:**  
1-800-431-8651

**EMAIL:**  
info@bestroofhatches.com

**FAX:**  
1-888-828-6021

**www.BestRoofHatches.com**