

BEST ROOF HATCHES

GALVANIZED STEEL QUAD DOOR ACOUSTICMAX™ 50 SMOKE VENT, ROOFTOP CLOSE

CATEGORY: SMOKE VENTS

SKU: BSVY-QNR

 babcockdavis



DETAILS

SOUND RATING(S) Independent third party tested to ASTM E90 and ASTM E1332

- BSVX: STC 48 - OITC 36
- BSVY: STC 50 - OITC 39

MATERIAL 14 gauge galvaneal steel; powder coat

FINISH High Reflectance White exterior cover with black interior liner and black curb

COVER Metal with liner, withstands a live load of 40psf with a max deflection of 1/150 the span

CURB Double wall curb with EZ tab counterflash and mounting flange

INSULATION Mineral wool and sound mat in cover and curb

- BSVX: Total R-10
- BSVY: Total R-14

GASKET Extruded EPDM adhesive backed gasket seals

HINGE Stainless steel heavy duty pintle hinge

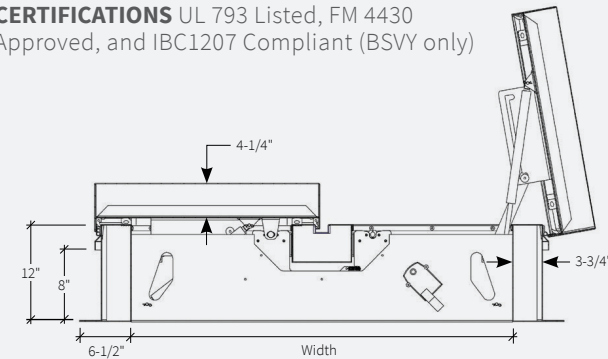
SPRING Gas spring with damper opens cover against 10psf snow load

HOLD OPEN ARM Zinc plated steel automatic hold open arm locks cover in open position

LATCH Zinc plated steel rotary latch designed to hold covers closed against 90psf wind uplift

OPERATION Opens automatically with a fusible link and manual pull handles

CERTIFICATIONS UL 793 Listed, FM 4430 Approved, and IBC1207 Compliant (BSVY only)



ORDER GUIDE

BASE	RATING	MATERIAL	WIDTH	X	LENGTH	DOOR	CURB	ELECTRIC	LINK TEMP (°F)	CLOSING	—	OPTIONS
BSV		G		X							—	
	X STC 48 Y STC 50	G Galvaneal Steel	Standard Sizes (W x L) 48" x 48" 48" x 72" 48" x 96" 60" x 60" 60" x 96" 60" x 120" 72" x 72" 72" x 96"			D Double Door Q Quad Door	2 Double Wall 3 Curb Mount	N No Electrical L 24VDC/24VAC H 110VAC / 240VAC	165 350 212 360 280 450	R Rooftop Close W Manual Winch A Linear Actuator*		SFM FM Labeled OP1 Door Position Sensor B__ Burglar Bars
			<i>Additional size options also available.</i>									<i>*Voids UL</i>



TOLL FREE PHONE:
1-800-431-8651



EMAIL:
info@bestroofhatches.com



FAX:
1-888-828-6021

www.BestRoofHatches.com