

# Personnel™ II

## ROOF HATCH

The Personnel II Roof Hatch is designed with OSHA life safety in mind and provides easy access to roof areas. Simple to install and operate, this roof hatch is OSHA Compliant, stays cooler and conserves energy.

### FEATURES

**GAS SPRING OPERATION** Designed for smooth one-handed operation that complies with OSHA safety standards, this roof hatch is easy to open and close.

**CLEAR LABELING** Color coordinated labels clearly identify safety yellow pull down handle and red hold open arm release.

**RAILING-READY** Safety railings install quick and easy with predrilled counterflash, designed to meet the 42" height requirement per OSHA and IBC.



### DETAILS

#### MATERIAL

- Aluminum: 11 gauge, mill
- Steel: Galvanneal 14 gauge, red oxide or high reflectance white powder coat

**COVER** Formed metal cover with liner, stiffened to withstand a live load of 40psf with a max deflection of 1/150 of the span

**CURB** Single wall curb with EZ tab counterflash and mounting flange

**INSULATION** 1 inch polystyrene in cover, 1 inch polyiso R-6 in curb or optional 2 inch polyiso in cover and curb; R-12 (specify -IRR)

**GASKET** Extruded EPDM adhesive backed gasket seal, continuous around curb and cover

**SPRING** Gas spring with damper for smooth, controlled lift assistance

**HINGE** Heavy-duty pintle hinge with stainless steel hinge pin

**HOLD OPEN ARM** Zinc plated steel automatic hold open arm with red vinyl grip handle locks cover in open position

**LATCH** Zinc plated steel slam latch with exterior and interior turn handle and padlock hasps; 20psf wind uplift for lengths ≤ 60 inches.

**PULL HANDLE** Interior safety pull down handle, yellow powder coat

### STANDARD MODELS

RED	WHITE	ALUMINUM	SIZE (IN.)	ACCESS
BG3630	BW3630	BA3630	36 x 30	Ladder
BG3636	BW3636	BA3636	36 x 36	Ladder
BG4848	BW4848	BA4848	48 x 48	Ladder
BG3054	BW3054	BA3054	30 x 54	Ship Stair

Additional sizes and options available, call for more information.

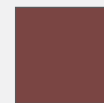
### FINISHES



Mill  
Aluminum



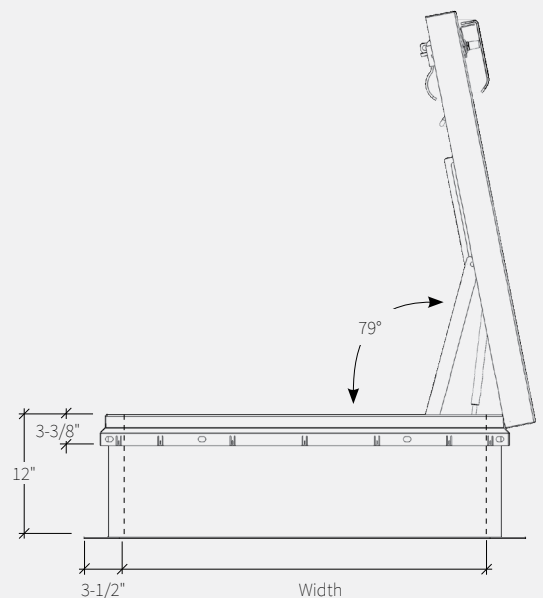
2B Matte  
Stainless Steel

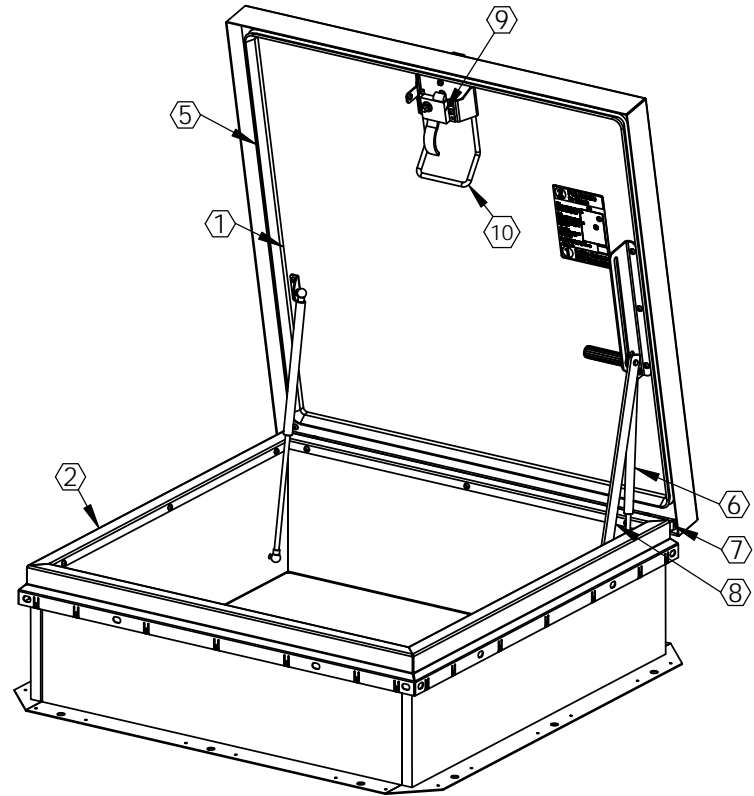
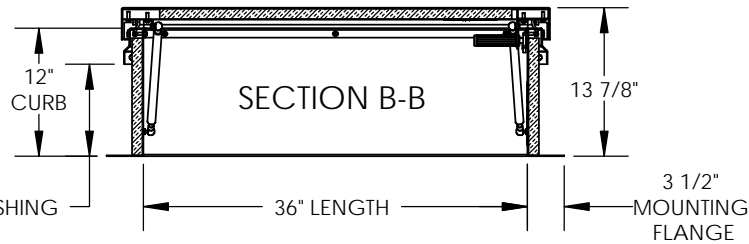
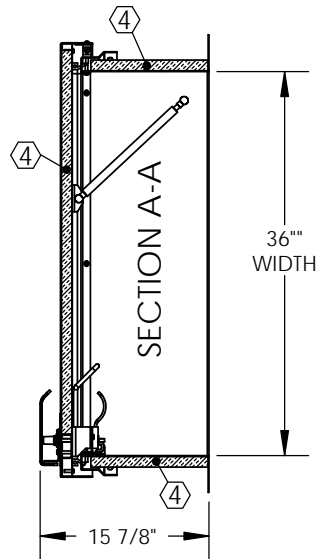
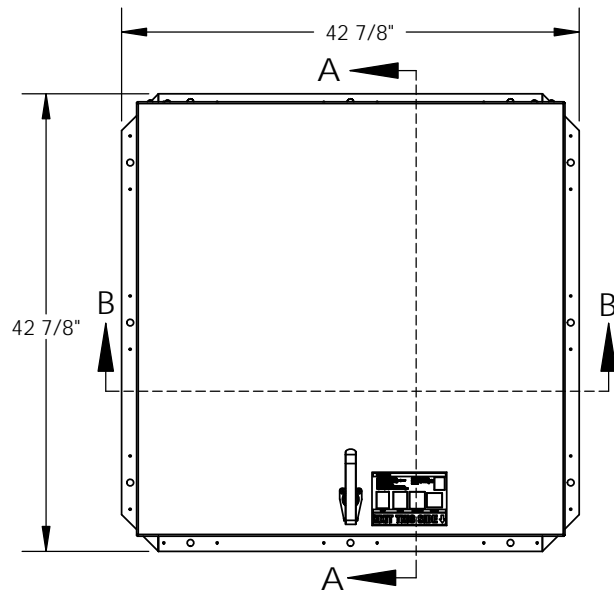


Red Oxide  
Powder Coat



High Reflectance White  
Powder Coat





**SPECIFICATIONS:**


- ① **COVER:** 14GA (.079) GALV STEEL, STIFFENED TO WITHSTAND A LIVE LOAD OF 40PSF WITH A MAX DEFLECTION OF 1/150 OF THE SPAN.
- ② **CURB:** 14GA (.079) GALV STEEL CURB COUNTERFLASH WITH EZ TABS.
- ③ **FINISH:** RED POWDER COAT
- ④ **INSULATION:** 1" POLYISO R-6 (5.6 LTR) IN CURB,  
1" POLYSTYRENE R-4 (3.8 LTR) IN COVER.
- ⑤ **GASKET:** EXTRUDED EPDM RUBBER ADHESIVE BACKED GASKET SEAL CONTINUOUS AROUND COVER.
- ⑥ **SPRING:** GAS SPRING WITH DAMPER FOR SMOOTH, CONTROLLED, COUNTERBALANCED LIFT ASSISTANCE.
- ⑦ **HINGE:** PINTLE HINGE WITH STAINLESS STEEL HINGE PINS.
- ⑧ **HOLD OPEN ARM:** ZINC PLATED STEEL AUTOMATIC HOLD OPEN ARM LOCKS COVER IN FULLY OPEN POSITION WITH RED VINYL GRIP HANDLE PULL RELEASE.

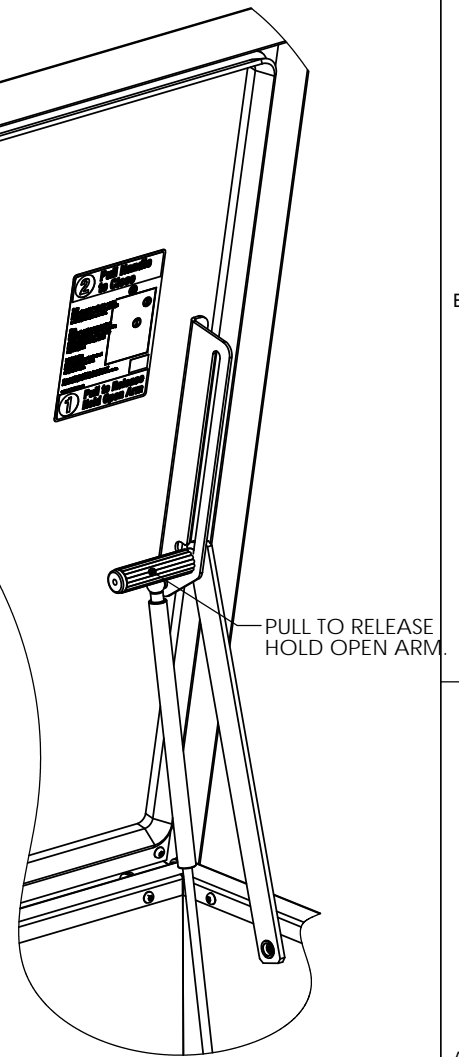
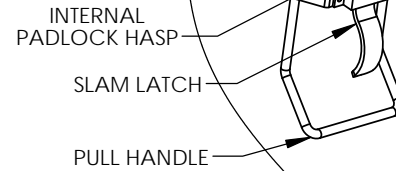
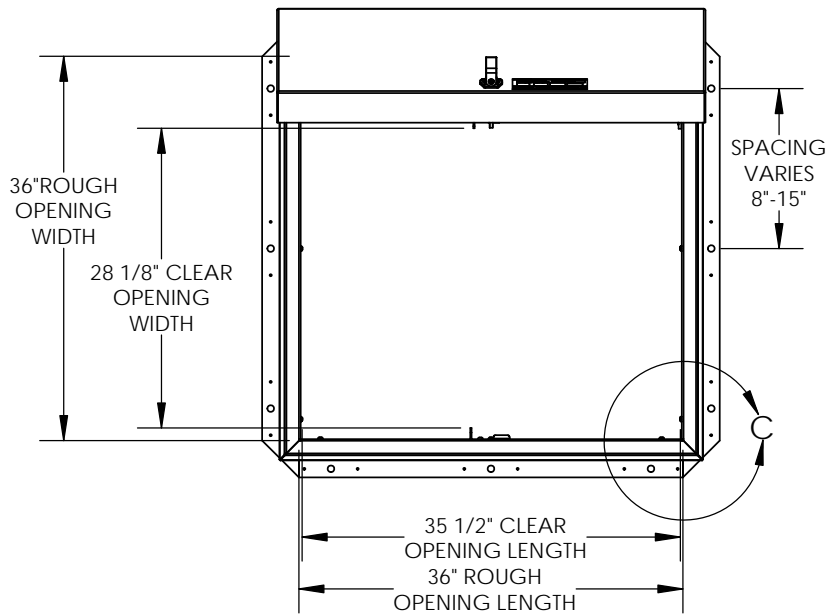
- ⑨ **LATCH:** ZINC PLATED STEEL SLAM LATCH, HOLDS COVER CLOSED AGAINST 20PSF WIND UPLIFT, INTERIOR AND EXTERIOR TURN HANDLES WITH PADLOCK HASPS.
- ⑩ **PULL HANDLE:** INTERIOR PULL DOWN HANDLE, SAFETY YELLOW POWDER COAT

**NOTES:**  
 -WHEN INSTALLING ON A PITCHED ROOF UP TO 7:12, THE HINGE SIDE (LENGTH) MUST BE PARALLEL TO THE SLOPE.  
 - WIDTH X LENGTH DIMENSIONS ARE MEASURED INSIDE CURB TO INSIDE CURB. THE WIDTH IS HINGE TO LATCH AND LENGTH IS HINGED SIDE.

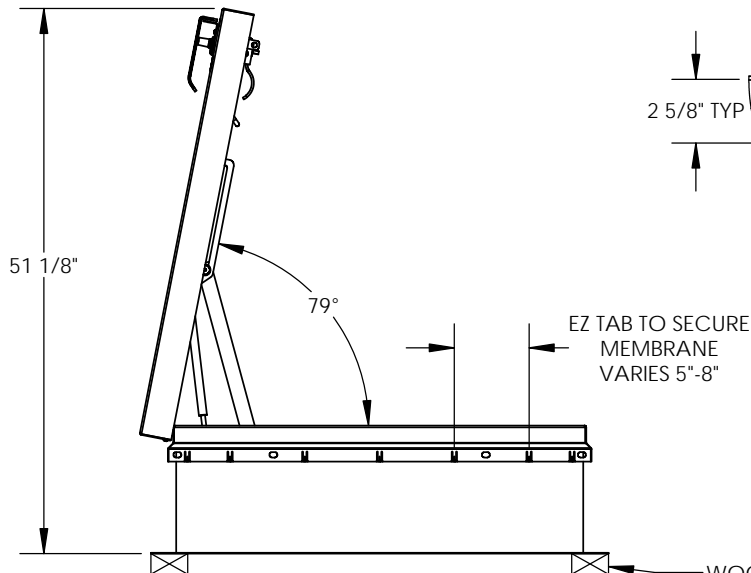
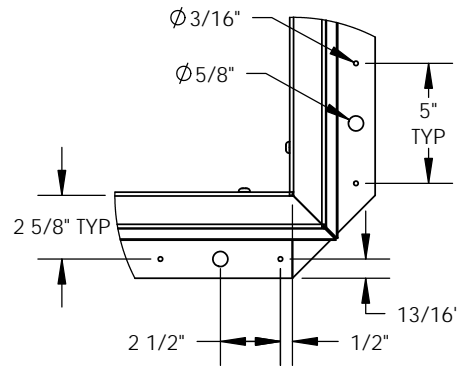
**ROOF HATCH SIZE** 36" (WIDTH) x 36" (LENGTH)  
**CLEAR OPENING** 28 1/8" (WIDTH) x 35 1/2" (LENGTH)  
**ROUGH OPENING** 36" (WIDTH) x 36" (LENGTH)

PROPRIETARY AND CONFIDENTIAL: THE INFORMATION CONTAINED IN THIS DRAWING IS THE SOLE PROPERTY OF BABCOCK-DAVIS. ANY REPRODUCTION IN PART OR AS A WHOLE WITHOUT THE WRITTEN PERMISSION OF BABCOCK-DAVIS IS PROHIBITED.

PROJECT:			
ARCHITECT:			
CONTRACTOR:			
QTY:			
PART:		BG3636	
 For more information, contact us at <a href="mailto:info@bestroofhatches.com">info@bestroofhatches.com</a> or call us at 1-800-431-8651		TITLE:	
		BRHUG36X36S1T Roof Hatch Personnel II, 36x36, S Dr, Galvn Steel, Red Pwd, Sngl Wall Curb	
NAME	DATE	SIZE	DWG. NO.
DRAWN: SGS	04/01/15	A	BG3636
RELEASED: IMT	04/01/15	WEIGHT: 141 lbs	SHEET 1 OF 2



DETAIL C  
SCALE 1 : 8



WOOD, CONCRETE, OTHER MATERIAL FOR MOUNTING BY OTHERS (NIC)

For more information, contact us at <a href="mailto:info@bestroofhatches.com">info@bestroofhatches.com</a> or call us at 1-800-431-8651				<b>TITLE:</b> BRHUG36X36S1T Roof Hatch Personnel II, 36x36, S Dr, Galv'n Steel, Red Pwd, Sngl Wall Curb	
	NAME	DATE	SIZE	DWG. NO.	REV
DRAWN	SGS	04/01/15	A	BG3636	-
RELEASED	IMT	04/01/15	WEIGHT: 141 lbs	SHEET 2 OF 2	