

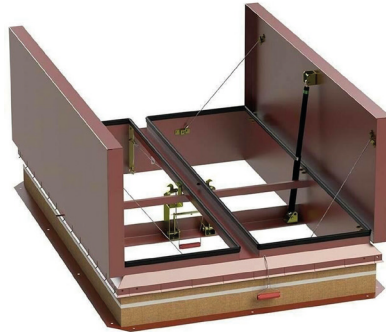
# BEST ROOF HATCHES

**GALVANIZED STEEL AUTOMATIC DOUBLE LEAF SMOKE VENT - BILCO**

**CATEGORY: SHOP BY SIZE**

**SKU: DSH**

**Bilco**®



**TOLL FREE PHONE:**  
1-800-431-8651

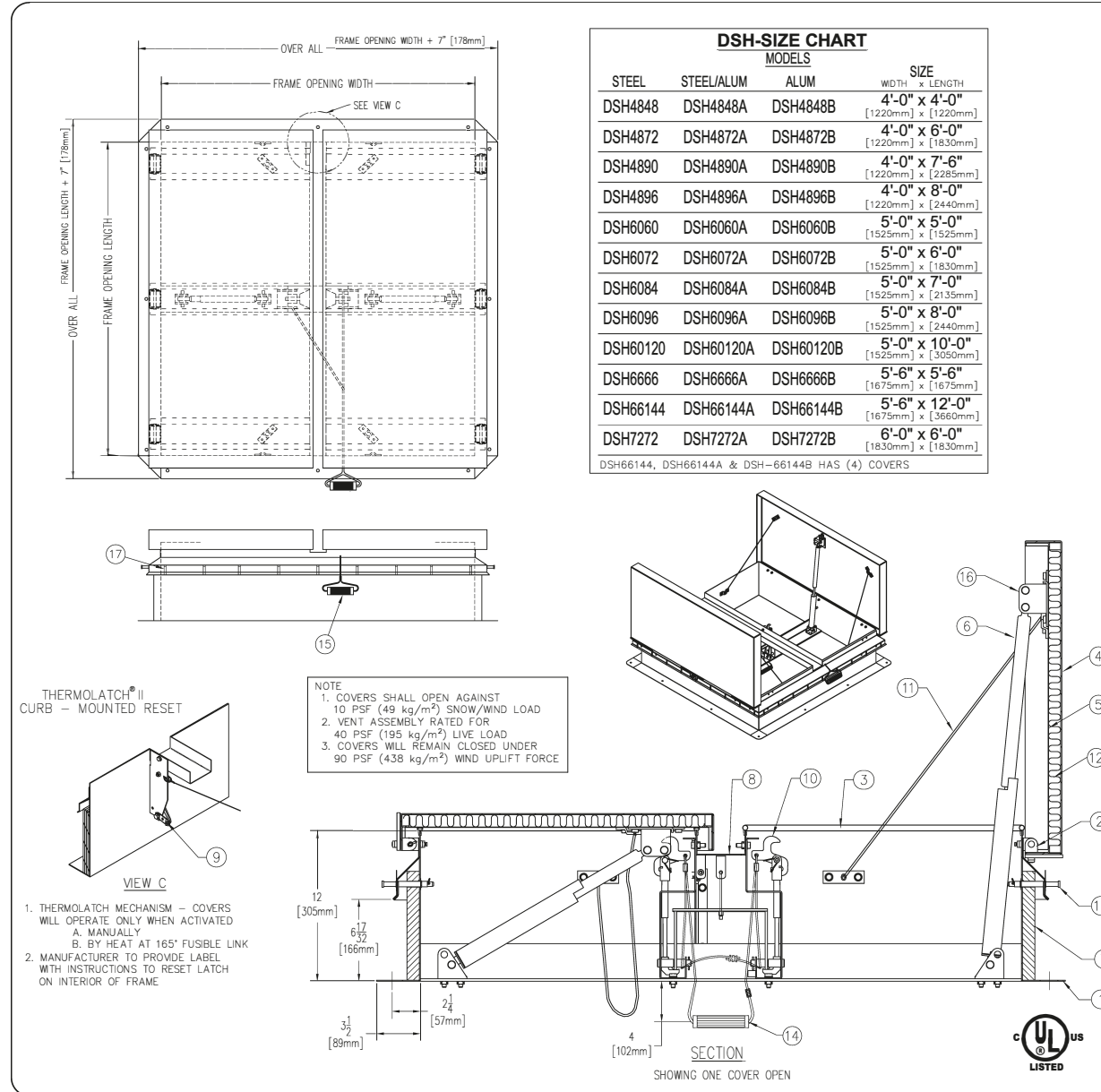


**EMAIL:**  
info@bestroofhatches.com



**FAX:**  
1-888-828-6021

[www.BestRoofHatches.com](http://www.BestRoofHatches.com)



## SPECIFICATIONS

- FRAME W/ CAPFLASHING (CORNERS FULL WELDED)
  - DSH - 14 GAUGE PAINT BOND GALV. STEEL
  - DSH A - 14 GAUGE PAINT BOND GALV. STEEL
  - DSH B - 11 GAUGE ALUMINUM
- PINTLE HINGE
- EPDM GASKET (ALL AROUND FRAME)
- COVER GAUGE
  - DSH - 14 GAUGE PAINT BOND GALV. STEEL
  - DSH A - 11 GAUGE ALUMINUM
  - DSH B - 11 GAUGE ALUMINUM
- COVER LINER
  - DSH - 22 GAUGE PAINT BOND GALV. STEEL
  - DSH A - 18 GAUGE ALUMINUM
  - DSH B - 18 GAUGE ALUMINUM
- GAS SPRINGS WITH INTEGRAL DAMPER & HOLD OPEN FEATURE
- 1" RIGID FIBERBOARD INSULATION
- FIXED CENTER DRAIN
- 165° FUSIBLE LINK (EXTRA LINK PROVIDED)
- THERMOLATCH II® POSITIVE HOLD/RELEASE MECHANISM
- COVER RESTRAINT CABLE
- 1" FIBERGLASS COVER INSULATION
  - DSH60120A - 2" FIBERGLASS COVER INSULATION
  - DSH60120B - 2" FIBERGLASS COVER INSULATION
- HOLD OPEN PIN RELEASE
- PULL GRIP TO OPEN FROM INSIDE 1/8" DIA. STEEL CABLE
- PULL GRIP TO OPEN FROM OUTSIDE 1/8" DIA. STEEL CABLE
- COVER LATCH BRACKET
- BILCLIP® FLASHING SYSTEM

**SHOP FINISH:**  
 STEEL: RED OXIDE PRIMER  
 ALUMINUM: MILL FINISH  
 HARDWARE: ZINC PLATED & CHROMATE SEALED (UNLESS OTHERWISE SPECIFIED)

THIS PRODUCT MAY BE INSTALLED ON EITHER A FLAT OR SLOPING ROOF. WHEN INSTALLED ON A SLOPE, THE HINGE SIDE MUST RUN PARALLEL WITH THE SLOPE. IF SLOPE EXCEEDS 30°, ADVISE FACTORY FOR MODIFICATION.

*CUSTOMER:*

*P.O. N°:*

*WDB:*

*SALES REP:*

Manufacturers of Doors for Special Services  
**THE BILCO COMPANY**  
 New Haven, Connecticut 06505

**DOUBLE LEAF FIRE VENT - TYPE DSH**

QTY	MODEL	SIZE
<input type="text"/>	<input type="text"/>	<input type="text"/>