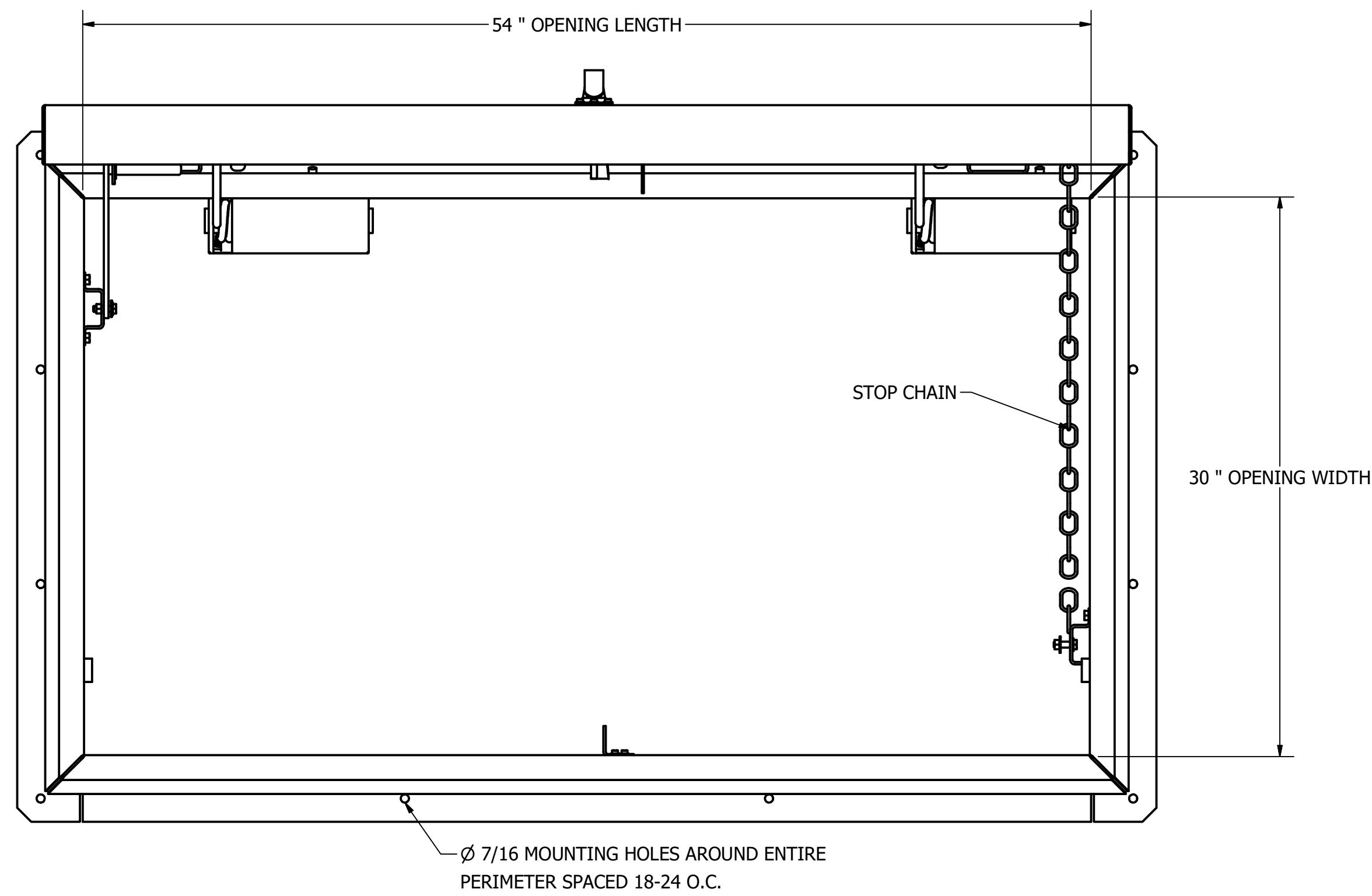


8 7 6 5 4 3 2 1



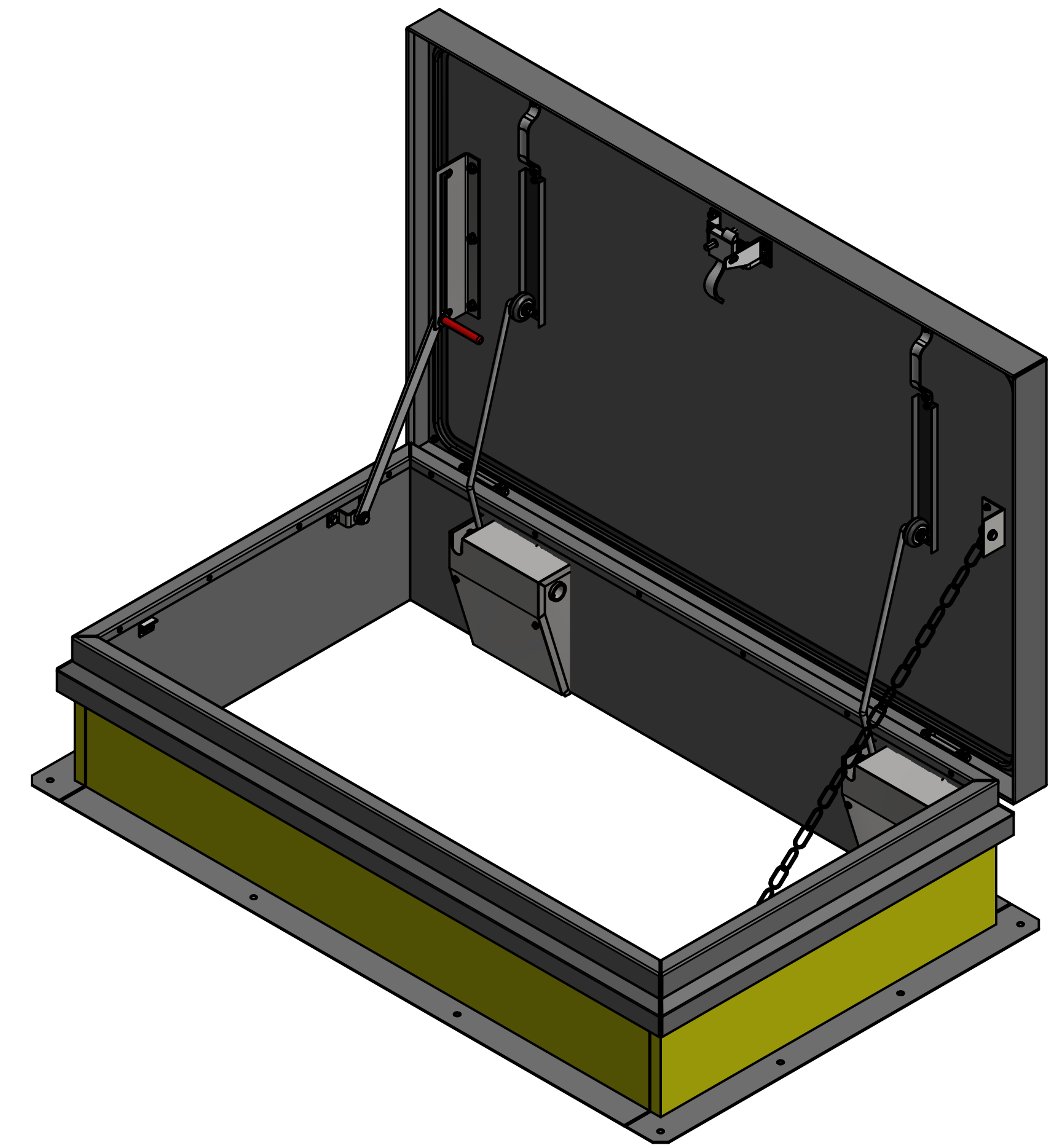
ORDER WILL NOT BE RELEASED FOR FABRICATION UNTIL SIGNED COPY IS RECEIVED.

VERIFICATION AND APPROVAL OF GENERAL ARRANGEMENT AND OVERALL DIMENSIONS FOR THIS DOCUMENT ARE REQUIRED BEFORE THE ORDER IS ENTERED FOR MANUFACTURING.

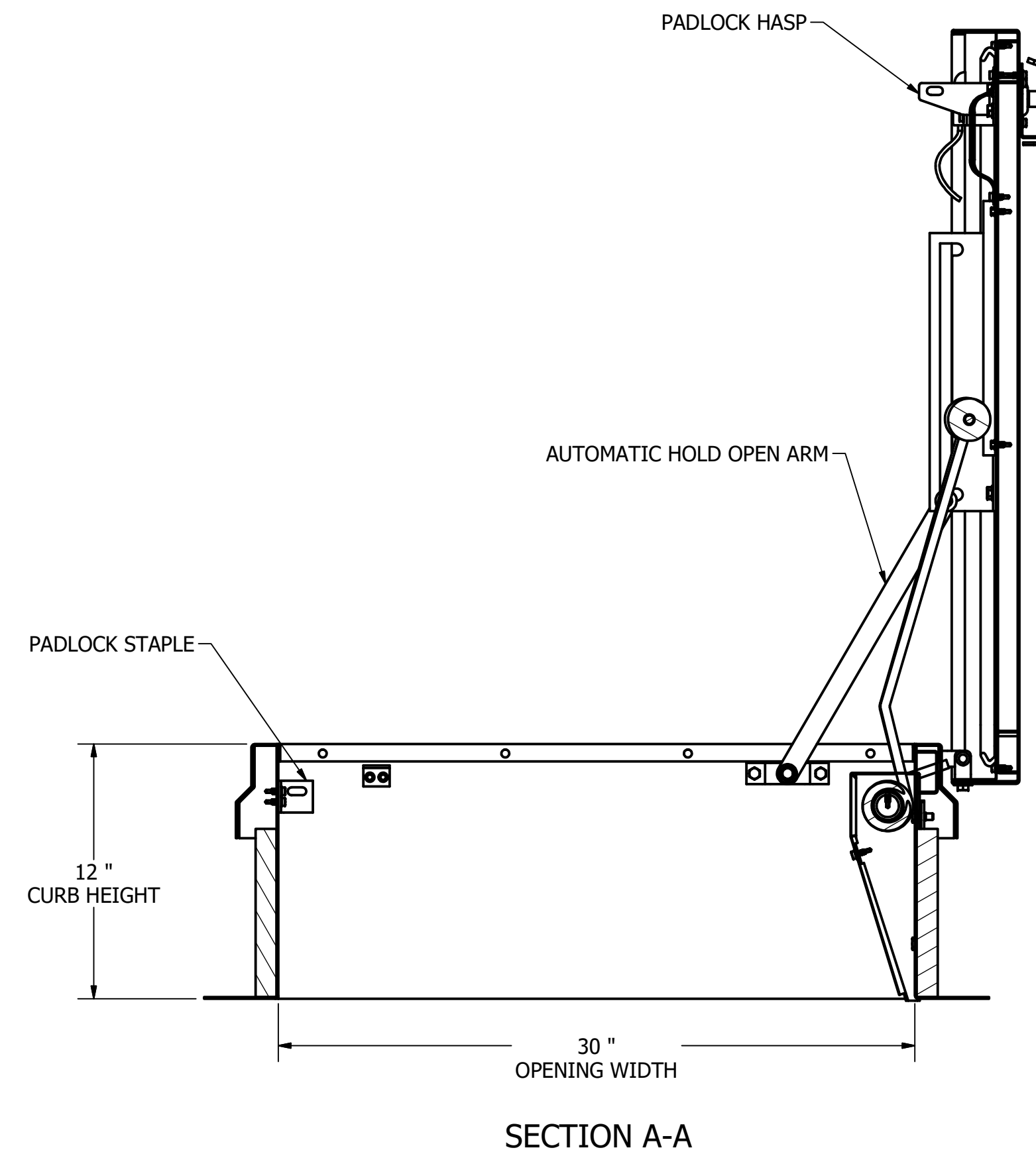
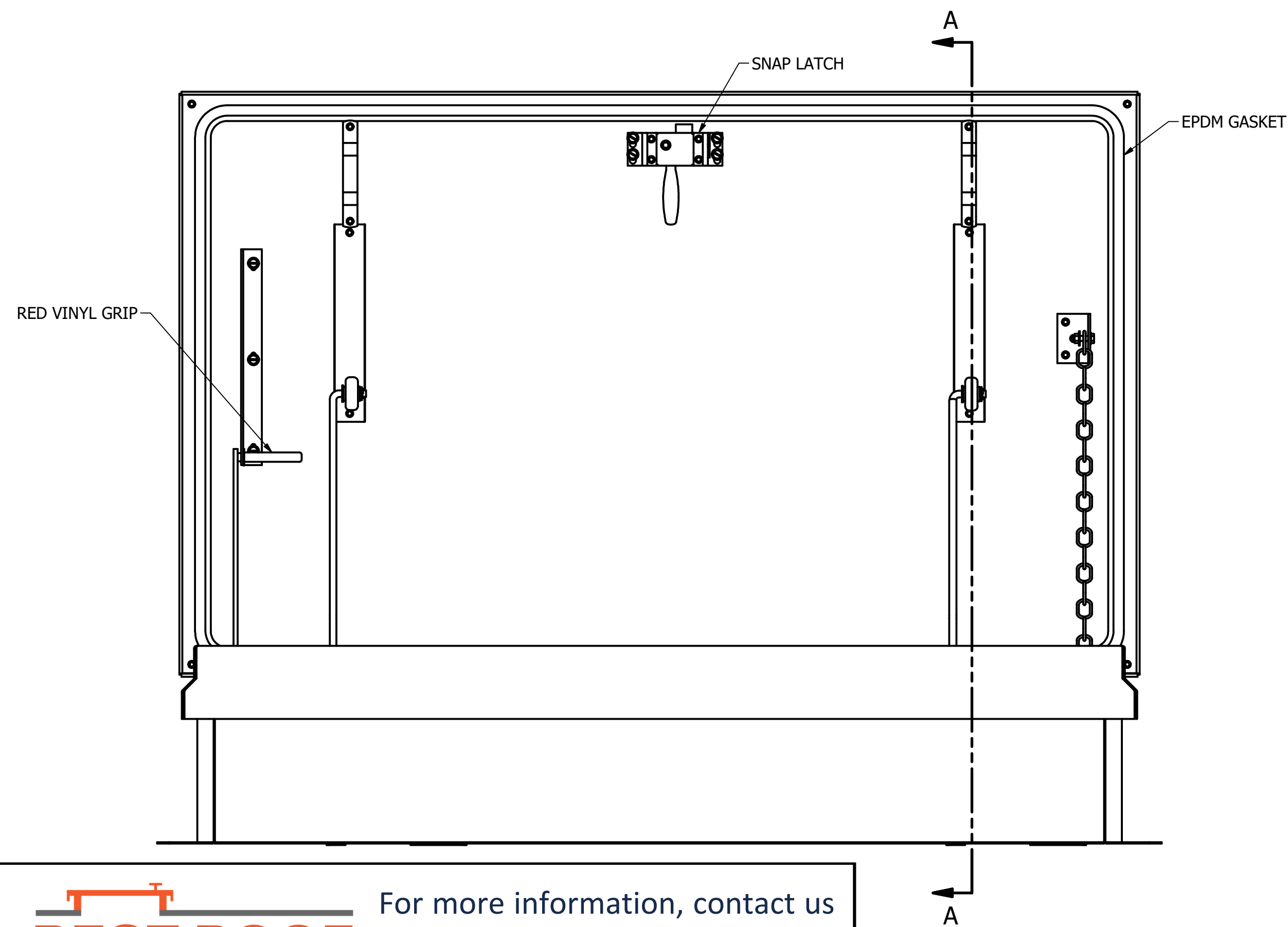
APPROVAL SIGNATURE \_\_\_\_\_

TITLE HELD \_\_\_\_\_

DATE OF APPROVAL \_\_\_\_\_



ISOMETRIC VIEW



NOTES:

- SIZE: 2'-6" X 4'-6"
- 1. CURB MATERIALS
  - a. 14 GA GALVANIZED CURB
- 2. CURB CAP MATERIALS
  - b. 14 GA GALVANIZED CURB CAP
- 3. CURB INSULATION THICKNESS AND MATERIALS
  - c. 1" RIGID FIBERBOARD CURB INSULATION
- 4. COVER MATERIALS
  - d. 14 GA GALVANIZED COVER
- 5. COVER LINER MATERIALS
  - e. 22 GA GALVANIZED COVER LINER
- 6. COVER INSULATION THICKNESS AND MATERIALS
  - f. 1" POLYSTYRENE COVER INSULATION
- 7. COVER RATED FOR 70PSF LIVE LOAD
- 8. COVER AND CURB ARE PAINTED WHITE
- 9. ZINC PLATED HARDWARE



For more information, contact us at [info@bestroofhatches.com](mailto:info@bestroofhatches.com) or call us at 1-800-431-8651

DRAWN CDEWILDT	4/17/2019		
CHECKED	<b>MILCOR</b>		
QA	TOLERANCE UNLESS SPECIFIED	TITLE M-2 30X54 SINGLE LEAF ROOF HATCH	
MFG	.XXX ± 0.005"	SIZE D	
APPROVED	.XX ± 0.01"	DWG NO 3501-511-9	
	FRACT. ± 1/16"	REV A	
	ANGLES ± 1'	SCALE	
		SHEET 1 OF 1	

8 7 6 5 4 3 2 1