

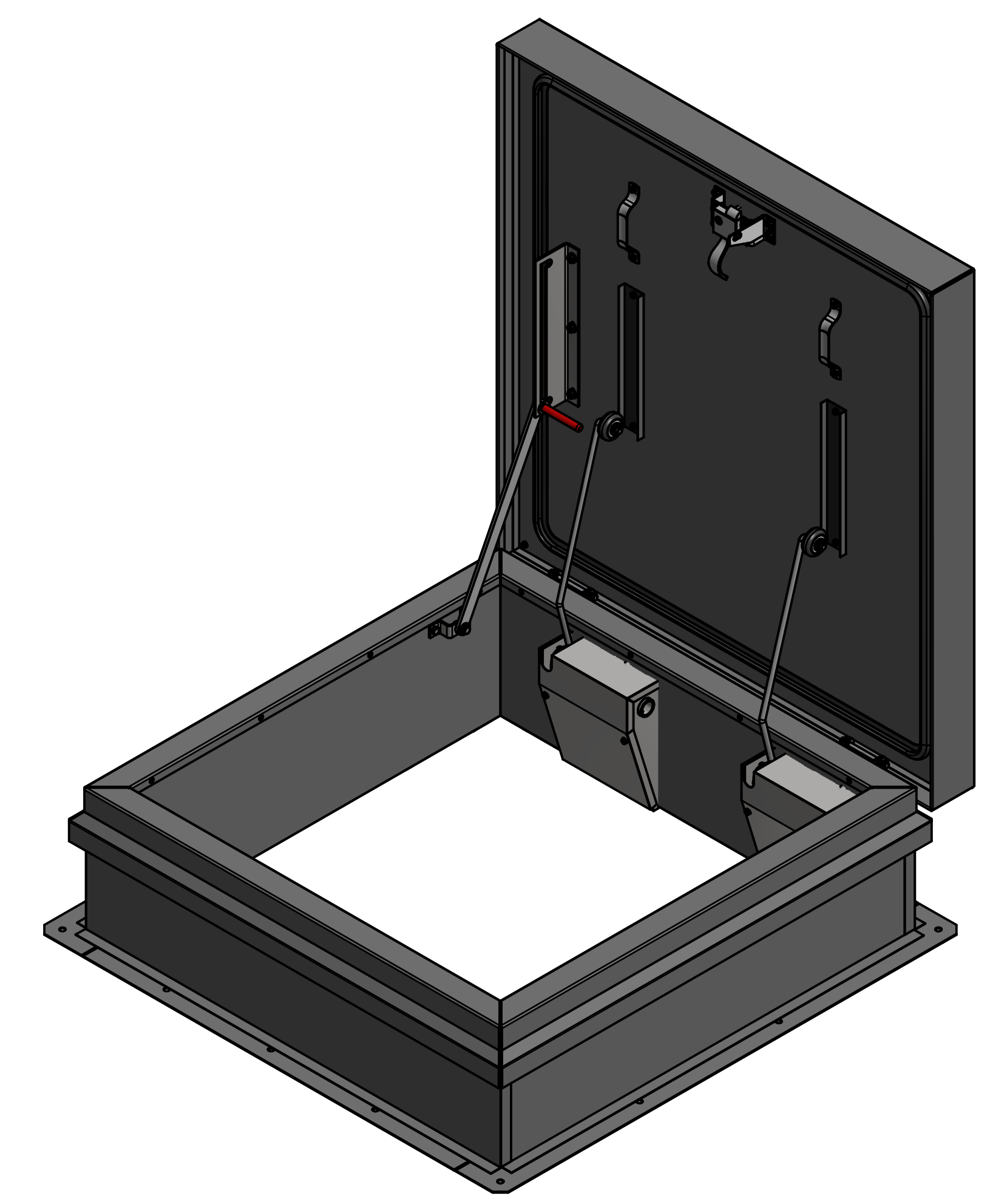
ORDER WILL NOT BE RELEASED FOR FABRICATION UNTIL SIGNED COPY IS RECEIVED.

VERIFICATION AND APPROVAL OF GENERAL ARRANGEMENT AND OVERALL DIMENSIONS FOR THIS DOCUMENT ARE REQUIRED BEFORE THE ORDER IS ENTERED FOR MANUFACTURING.

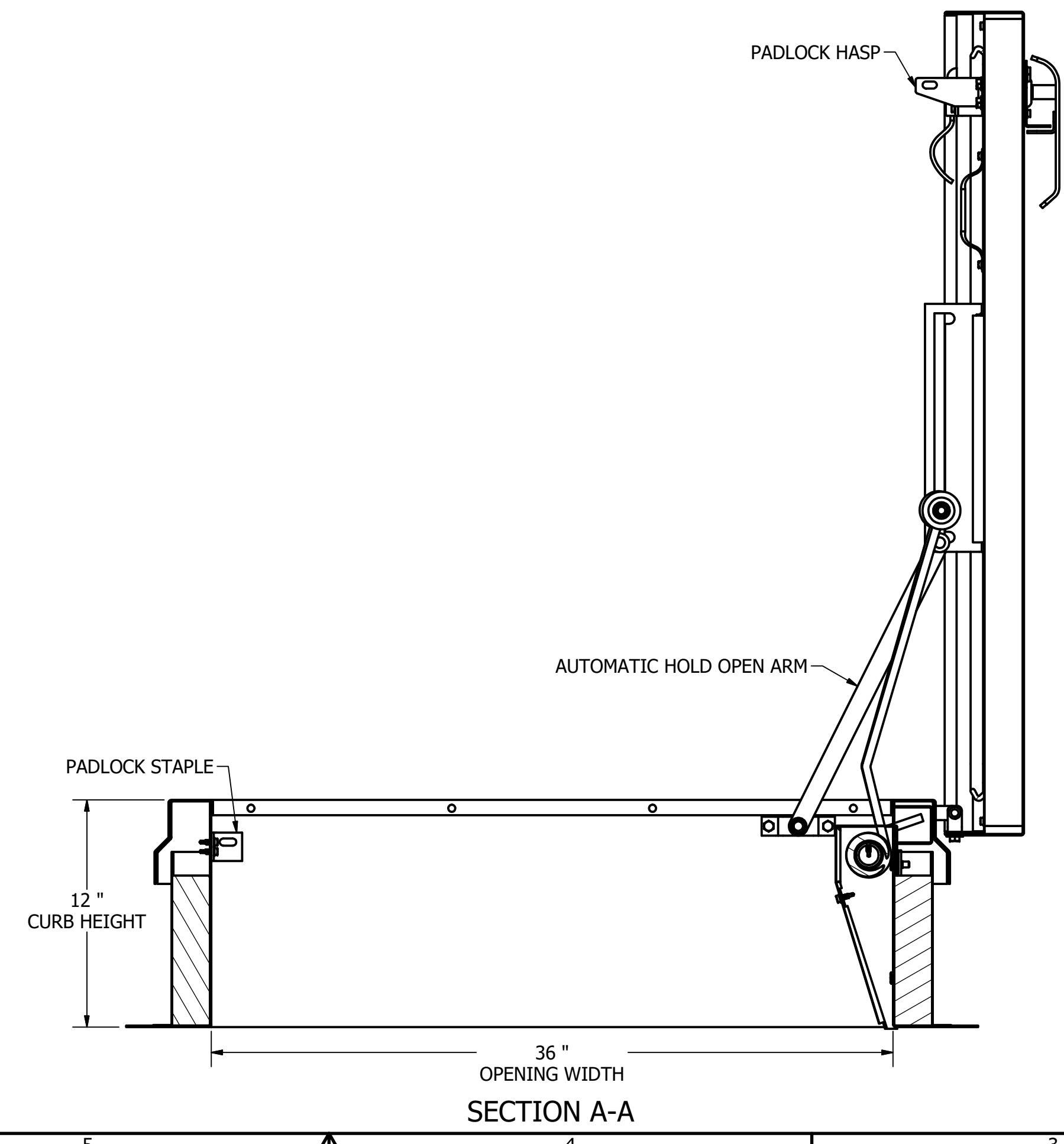
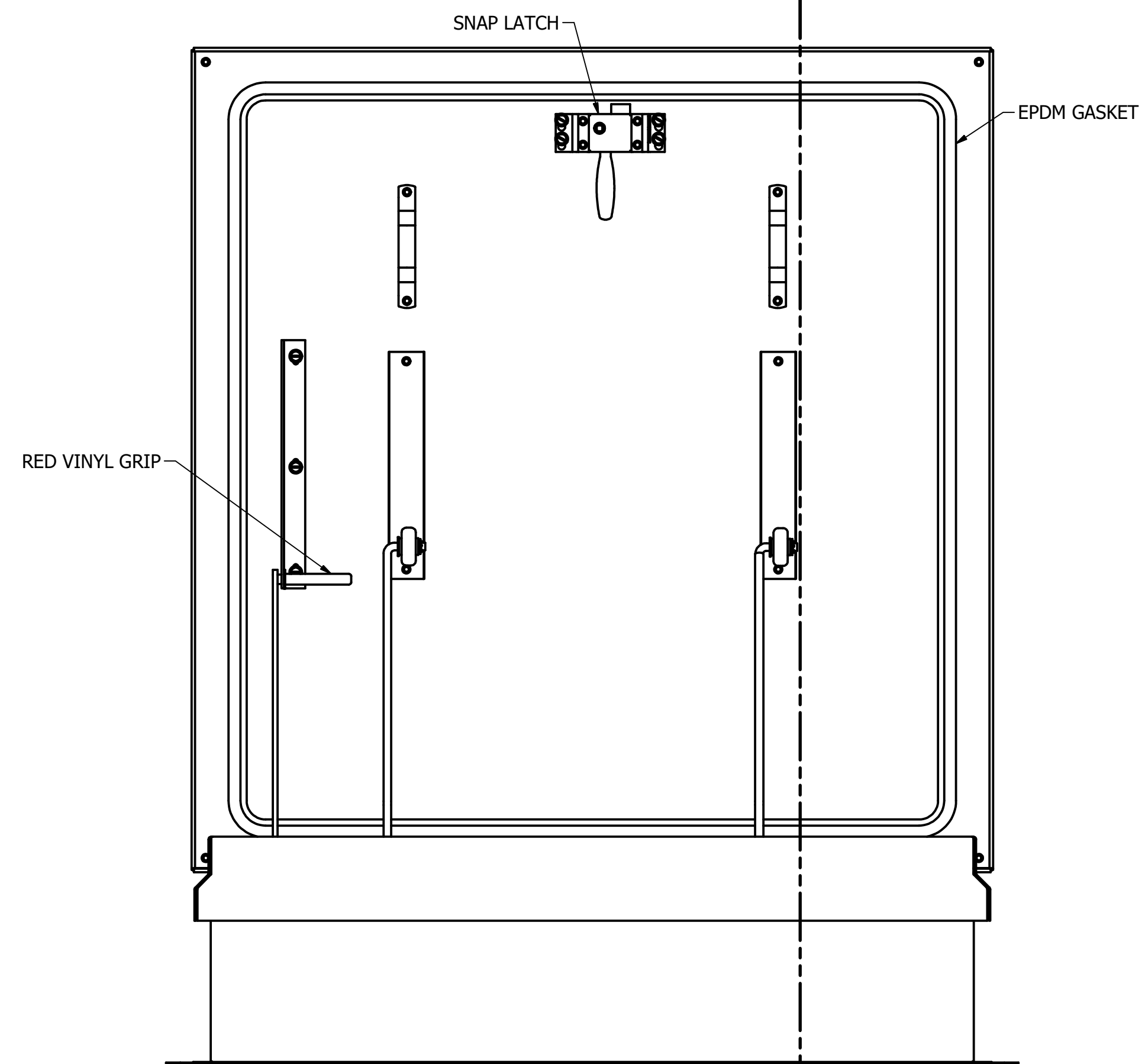
APPROVAL SIGNATURE _____

TITLE HELD _____

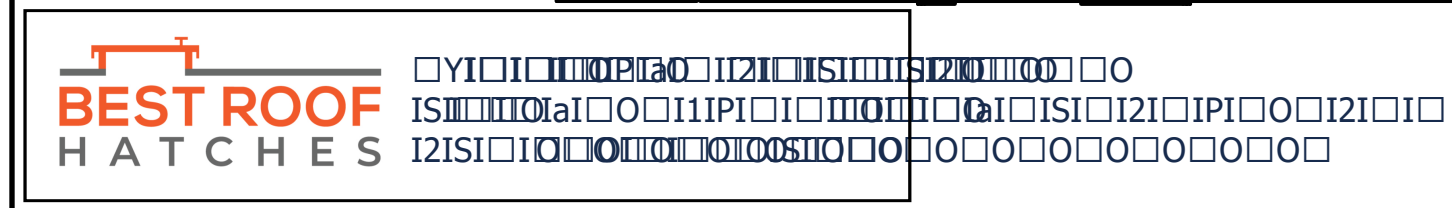
DATE OF APPROVAL _____



ISOMETRIC VIEW



- NOTES:
- SIZE: 3'-0" X 3'-0"
- CURB MATERIALS
 - 14 GA GALVANIZED CURB
 - CURB CAP MATERIALS
 - 14 GA GALVANIZED CURB CAP
 - CURB LINER MATERIALS
 - 22 GA GALVANIZED CURB LINER
 - CURB INSULATION THICKNESS AND MATERIALS
 - 2" POLYISOCYANURATE CURB INSULATION
 - COVER MATERIALS
 - 14 GA GALVANIZED COVER
 - COVER LINER MATERIALS
 - 22 GA GALVANIZED COVER LINER
 - COVER INSULATION THICKNESS AND MATERIALS
 - 2" POLYISOCYANURATE COVER INSULATION
 - COVER RATED FOR 70PSF LIVE LOAD
 - COVER AND CURB ARE PAINTED WHITE
 - ZINC PLATED HARDWARE



DRAWN CDEWILDT	5/23/2019		
CHECKED	MILCOR		
QA	TOLERANCE UNLESS SPECIFIED	TITLE	
MFG	.XXX ± 0.005"	M-3X3 EE 36X36 SINGLE LEAF ROOF HATCH	
APPROVED	.XX ± 0.01"	SIZE	DWG NO
	FRACT. ± 1/16"	D	3501-410-9EE
	ANGLES ± 1'	SCALE	REV A
			SHEET 1 OF 1