

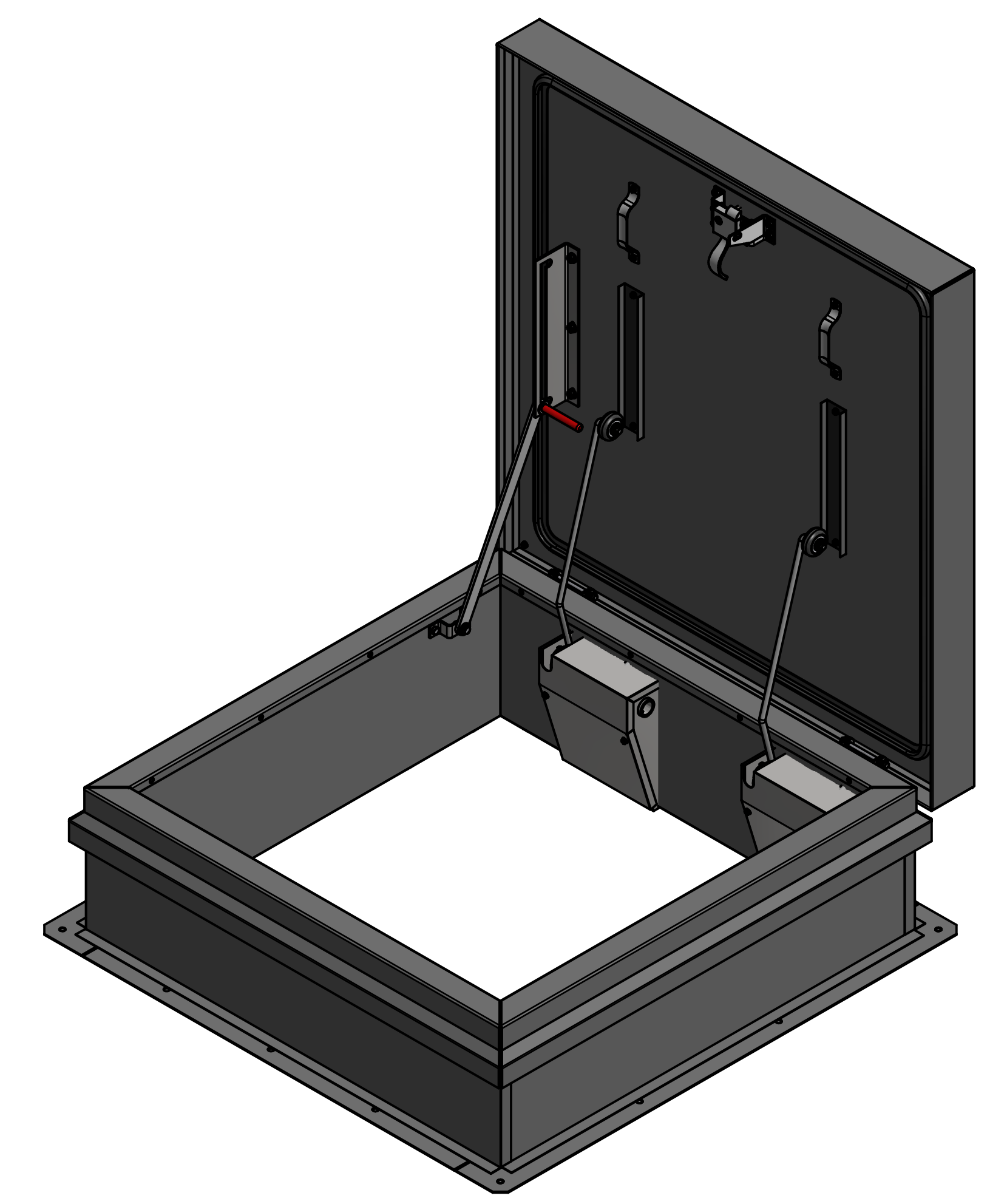
ORDER WILL NOT BE RELEASED FOR FABRICATION UNTIL SIGNED COPY IS RECEIVED.

VERIFICATION AND APPROVAL OF GENERAL ARRANGEMENT AND OVERALL DIMENSIONS FOR THIS DOCUMENT ARE REQUIRED BEFORE THE ORDER IS ENTERED FOR MANUFACTURING.

APPROVAL SIGNATURE \_\_\_\_\_

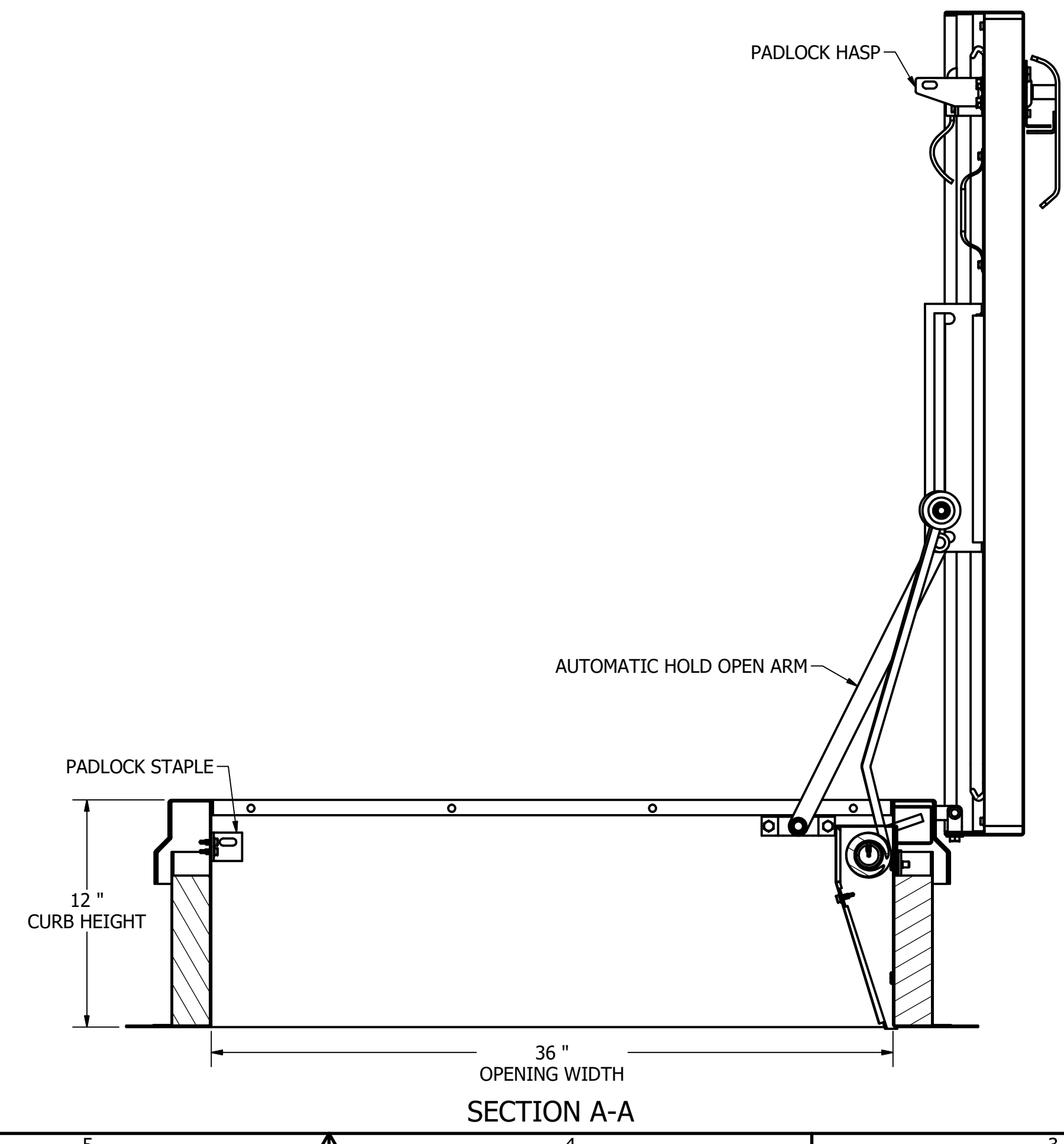
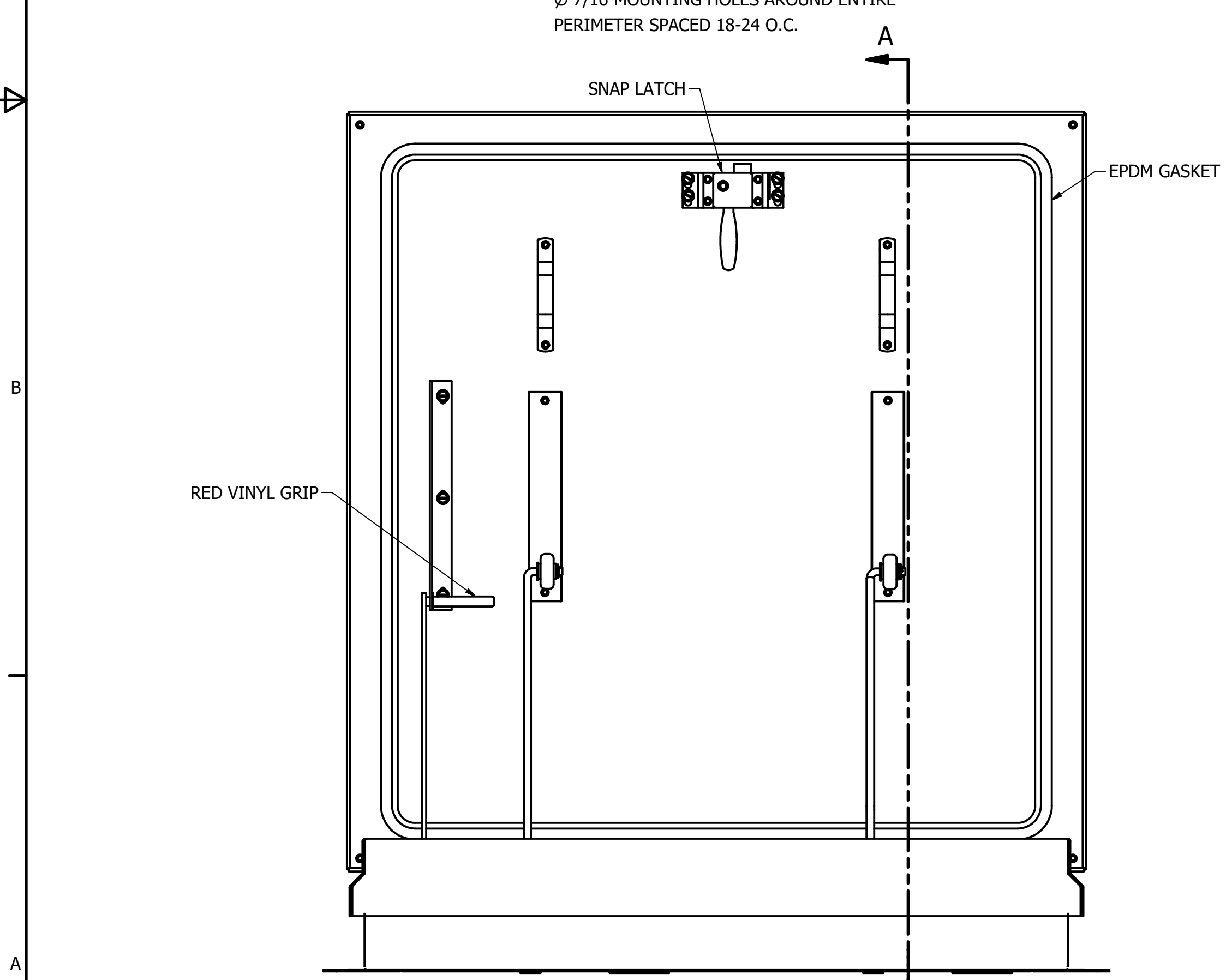
TITLE HELD \_\_\_\_\_

DATE OF APPROVAL \_\_\_\_\_



ISOMETRIC VIEW

- NOTES:
- SIZE: 3'-0" X 3'-0"
- CURB MATERIALS
    - 14 GA GALVANIZED CURB
  - CURB CAP MATERIALS
    - 14 GA GALVANIZED CURB CAP
  - CURB LINER MATERIALS
    - 22 GA GALVANIZED CURB LINER
  - CURB INSULATION THICKNESS AND MATERIALS
    - 2" POLYISOCYANURATE CURB INSULATION
  - COVER MATERIALS
    - 14 GA GALVANIZED COVER
  - COVER LINER MATERIALS
    - 22 GA GALVANIZED COVER LINER
  - COVER INSULATION THICKNESS AND MATERIALS
    - 2" POLYISOCYANURATE COVER INSULATION
  - COVER RATED FOR 70PSF LIVE LOAD
  - COVER AND CURB ARE PAINTED WHITE
  - ZINC PLATED HARDWARE



DRAWN CDEWILDT	5/23/2019	TITLE	
CHECKED	<b>MILCOR</b>	M-3X3 EE 36X36 SINGLE LEAF ROOF HATCH	
QA	TOLERANCE UNLESS SPECIFIED	SIZE	DWG NO
MFG	.XXX ± 0.005"	D	3501-410-9EE
APPROVED	.XX ± 0.01"	SCALE	REV A
	FRACT. ± 1/16"		
	ANGLES ± 1'		SHEET 1 OF 1

&}CE u}CE ]v{)CEu š}}VU }vš š μ•  
š]v{)} •šCE}}(Z š X }u  
oo m̄ōšīrōīrōñī