

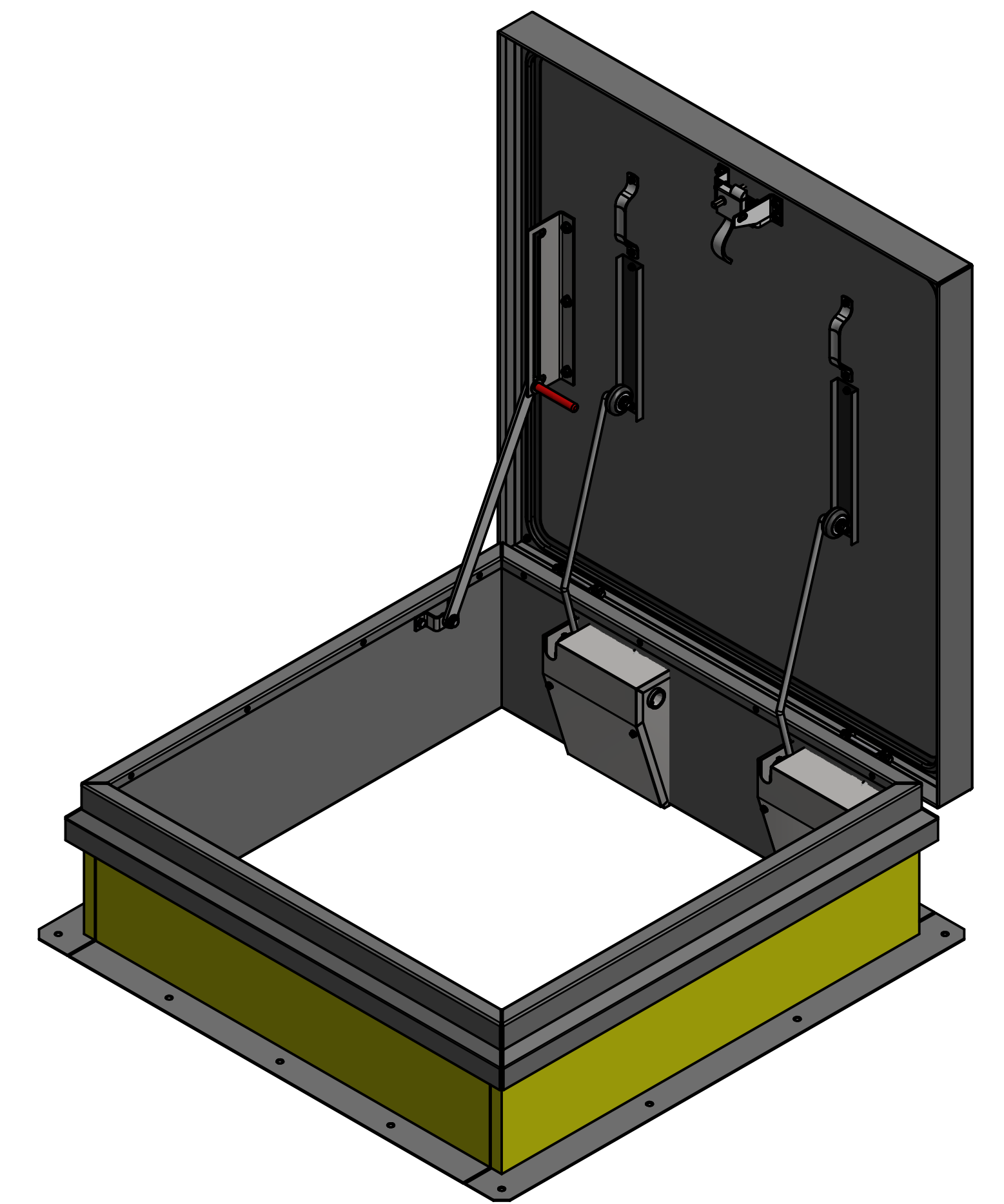
ORDER WILL NOT BE RELEASED FOR FABRICATION UNTIL SIGNED COPY IS RECEIVED.

VERIFICATION AND APPROVAL OF GENERAL ARRANGEMENT AND OVERALL DIMENSIONS FOR THIS DOCUMENT ARE REQUIRED BEFORE THE ORDER IS ENTERED FOR MANUFACTURING.

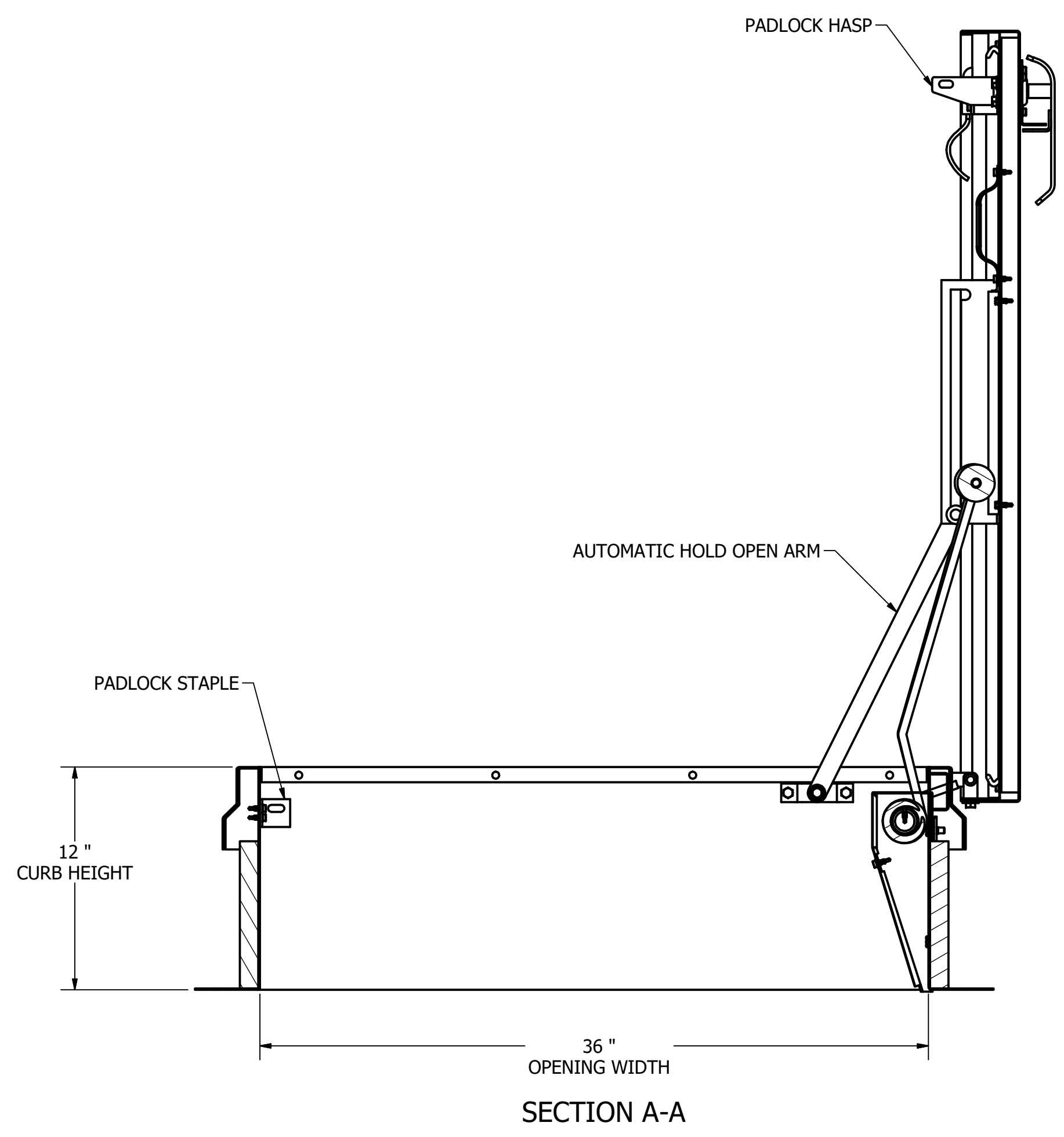
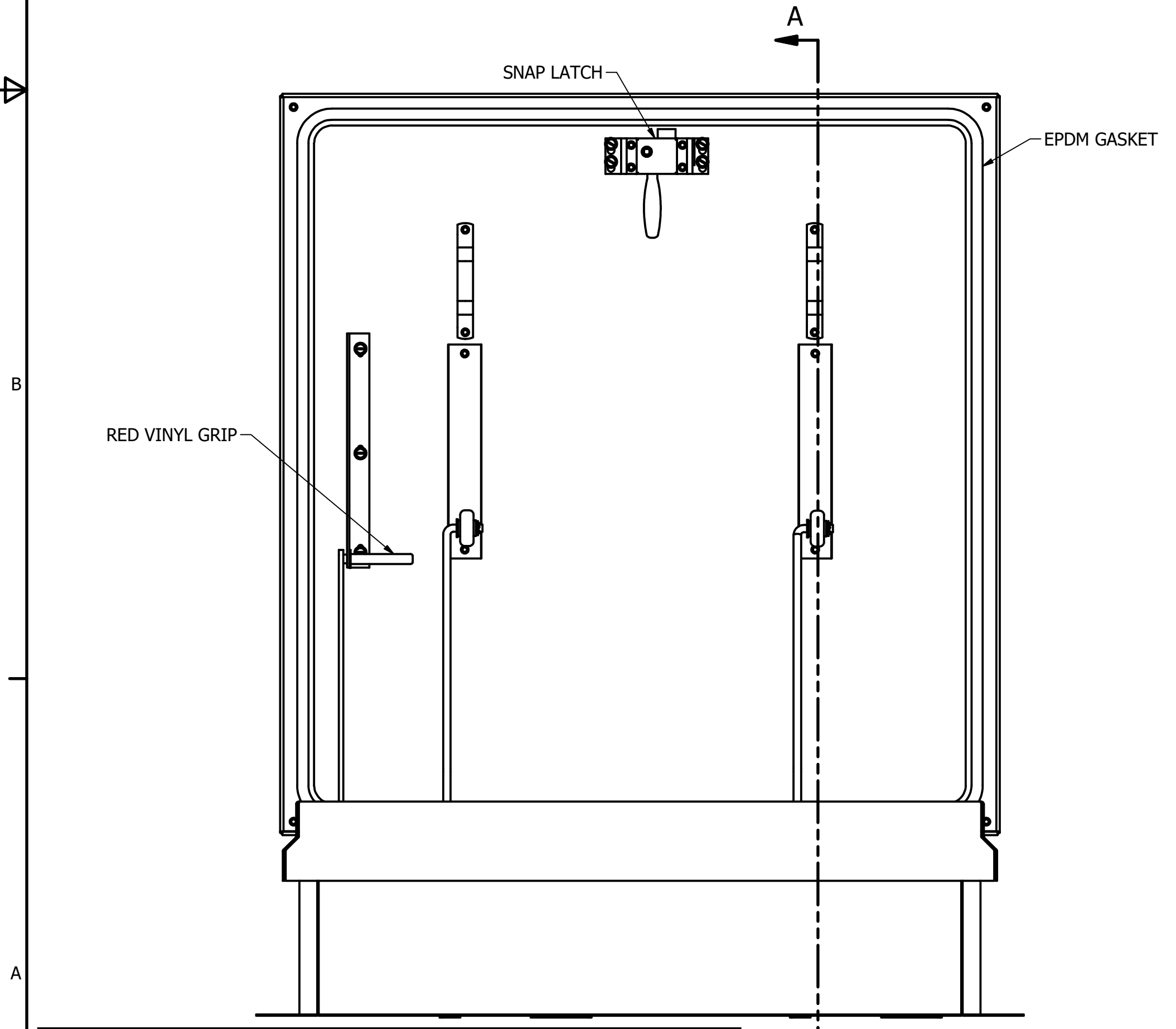
APPROVAL SIGNATURE _____

TITLE HELD _____

DATE OF APPROVAL _____



ISOMETRIC VIEW



- NOTES:
- SIZE: 3'-0" X 3'-0"
- CURB MATERIALS
 - 14 GA GALVANIZED CURB
 - CURB CAP MATERIALS
 - 14 GA GALVANIZED CURB CAP
 - CURB INSULATION THICKNESS AND MATERIALS
 - 1" RIGID FIBERBOARD CURB INSULATION
 - COVER MATERIALS
 - 14 GA GALVANIZED COVER
 - COVER LINER MATERIALS
 - 22 GA GALVANIZED COVER LINER
 - COVER INSULATION THICKNESS AND MATERIALS
 - 1" POLYSTYRENE COVER INSULATION
 - COVER RATED FOR 70PSF LIVE LOAD
 - COVER AND CURB ARE PAINTED WHITE
 - ZINC PLATED HARDWARE

BEST ROOF HATCHES For more information, contact us at info@bestroofhatches.com or call us at 1-800-431-8651

DRAWN	CDEWILDT	5/24/2019	For more information, contact us at info@bestroofhatches.com or call us at 1-800-431-8651	
CHECKED		MILCOR	TITLE	
QA		TOLERANCE UNLESS SPECIFIED	M-3X3 36X36 SINGLE LEAF ROOF HATCH	
MFG		.XXX ± 0.005"	SIZE	DWG NO
APPROVED		.XX ± 0.01"	D	3501-410-9
		FRACT. ± 1/16"	SCALE	REV A
		ANGLES ± 1°		SHEET 1 OF 1