

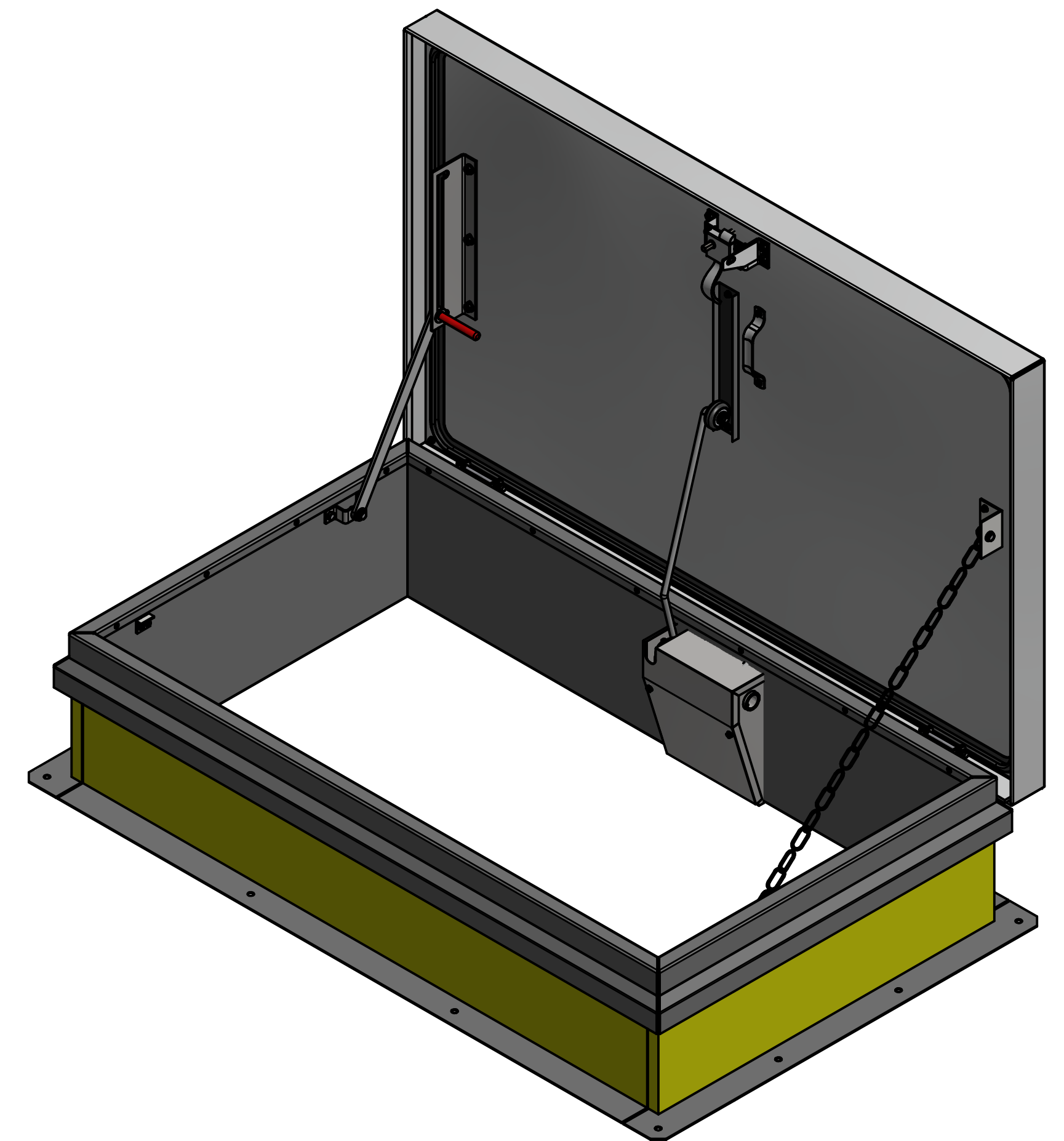
ORDER WILL NOT BE RELEASED FOR FABRICATION UNTIL SIGNED COPY IS RECEIVED.

VERIFICATION AND APPROVAL OF GENERAL ARRANGEMENT AND OVERALL DIMENSIONS FOR THIS DOCUMENT ARE REQUIRED BEFORE THE ORDER IS ENTERED FOR MANUFACTURING.

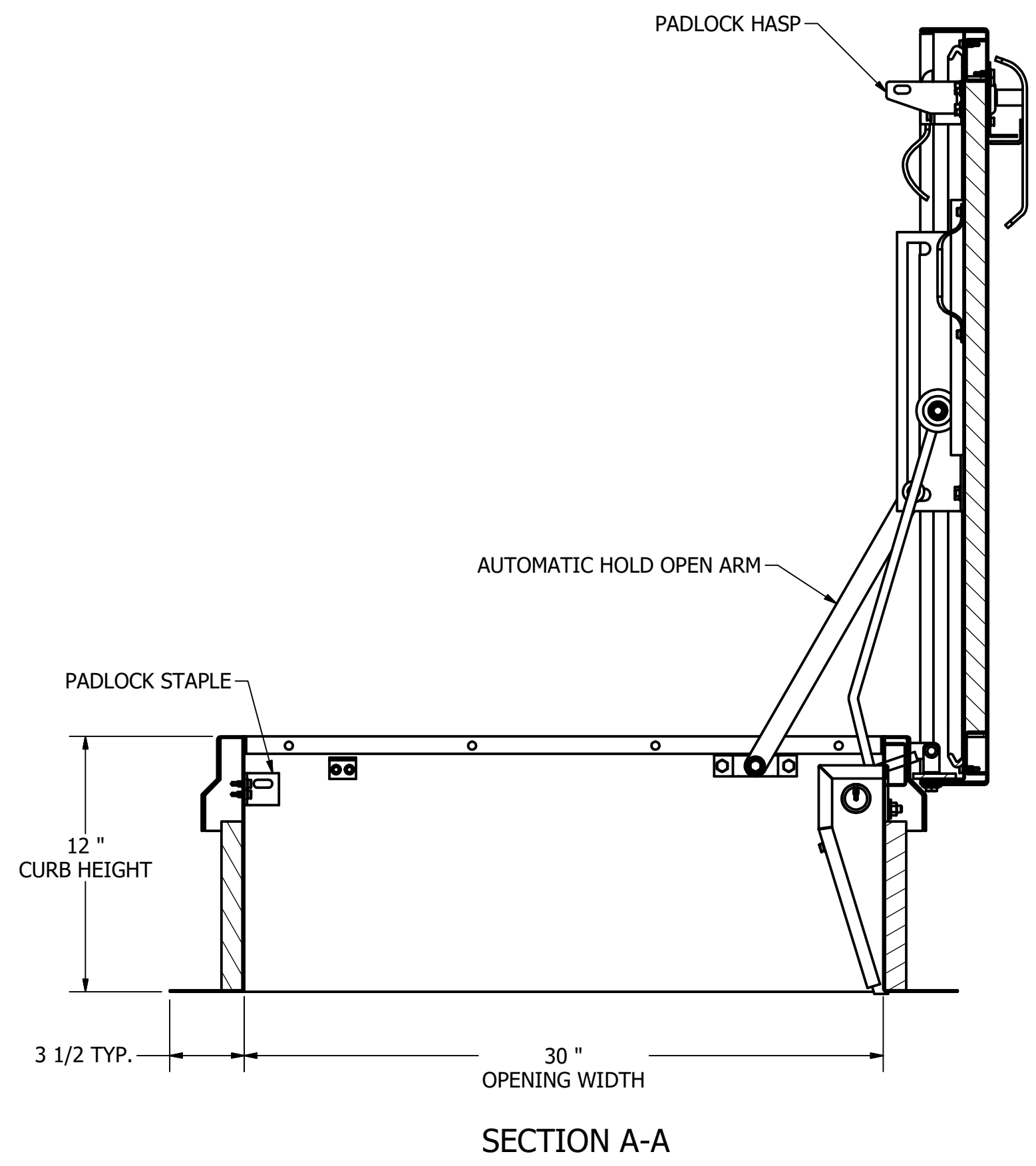
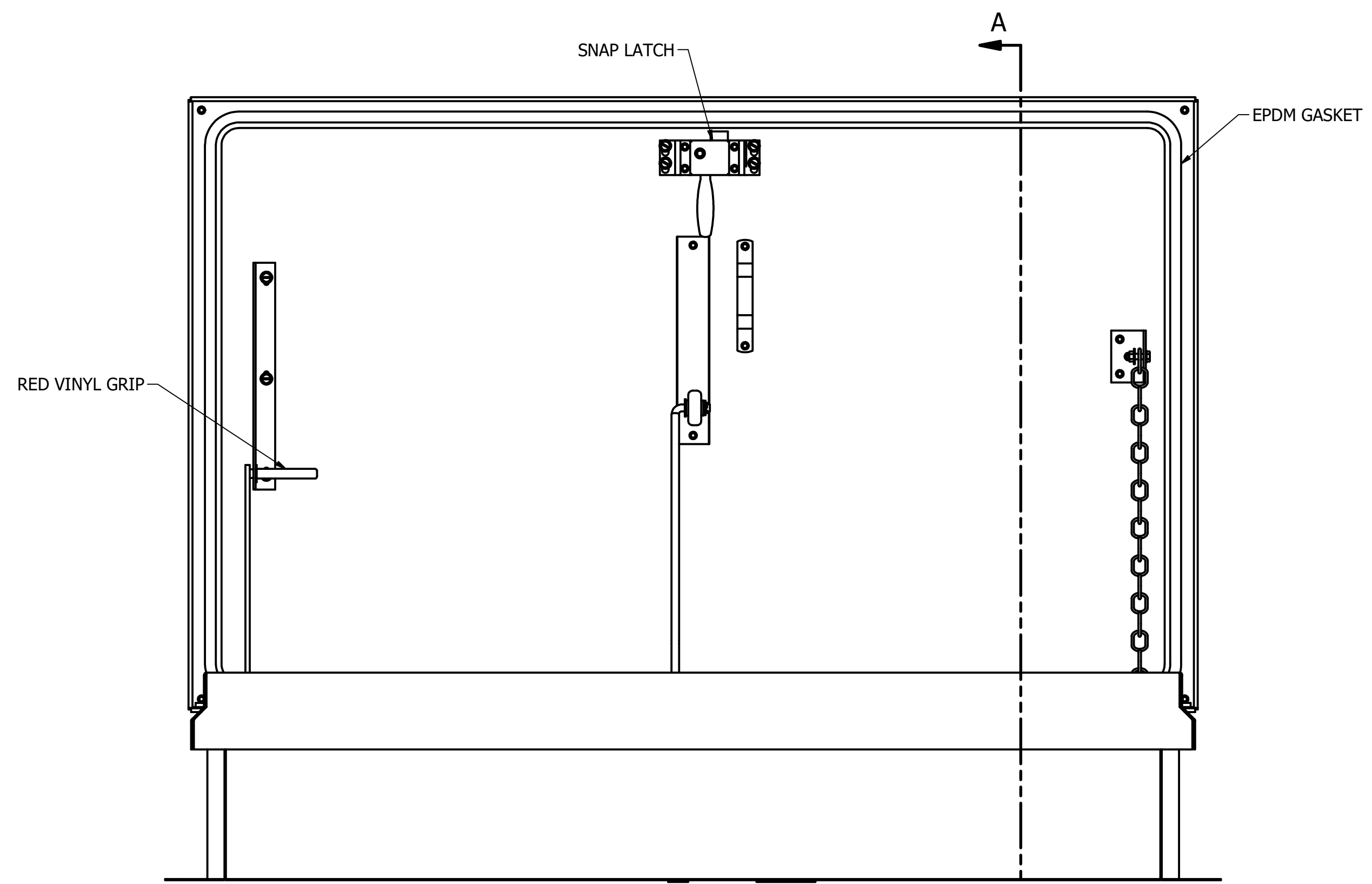
APPROVAL SIGNATURE _____

TITLE HELD _____

DATE OF APPROVAL _____



ISOMETRIC VIEW



- NOTES:
- SIZE: 2'-6" X 4'-6"
 - 1. CURB MATERIALS
 - a. 14 GA GALVANIZED CURB
 - b. 14 GA GALVANIZED CURB CAP
 - 2. CURB CAP MATERIALS
 - b. 14 GA GALVANIZED CURB CAP
 - 3. CURB INSULATION THICKNESS AND MATERIALS
 - c. 1" RIGID FIBERBOARD CURB INSULATION
 - 4. COVER MATERIALS
 - d. 0.090 ALUMINUM COVER
 - 5. COVER LINER MATERIALS
 - e. 0.063 ALUMINUM COVER LINER
 - 6. COVER INSULATION THICKNESS AND MATERIALS
 - f. 1" FIBERGLASS COVER INSULATION
 - 7. COVER RATED FOR 40PSF LIVE LOAD
 - 8. COVER IS MILL FINISHED
 - 9. CURB IS PAINTED WHITE
 - 10. ZINC PLATED HARDWARE

BEST ROOF HATCHES For more information, contact us at info@bestroofhatches.com or call us at 1-800-431-8651

DRAWN	CDEWILD	5/14/2019	For more information, contact us at info@bestroofhatches.com or call us at 1-800-431-8651	
CHECKED				
QA			TITLE	
MFG			RC-2 30X54 SINGLE LEAF ROOF HATCH	
APPROVED			SIZE	DWG NO
			D	3501-125-9
			SCALE	REV
				A
			SHEET 1 OF 1	