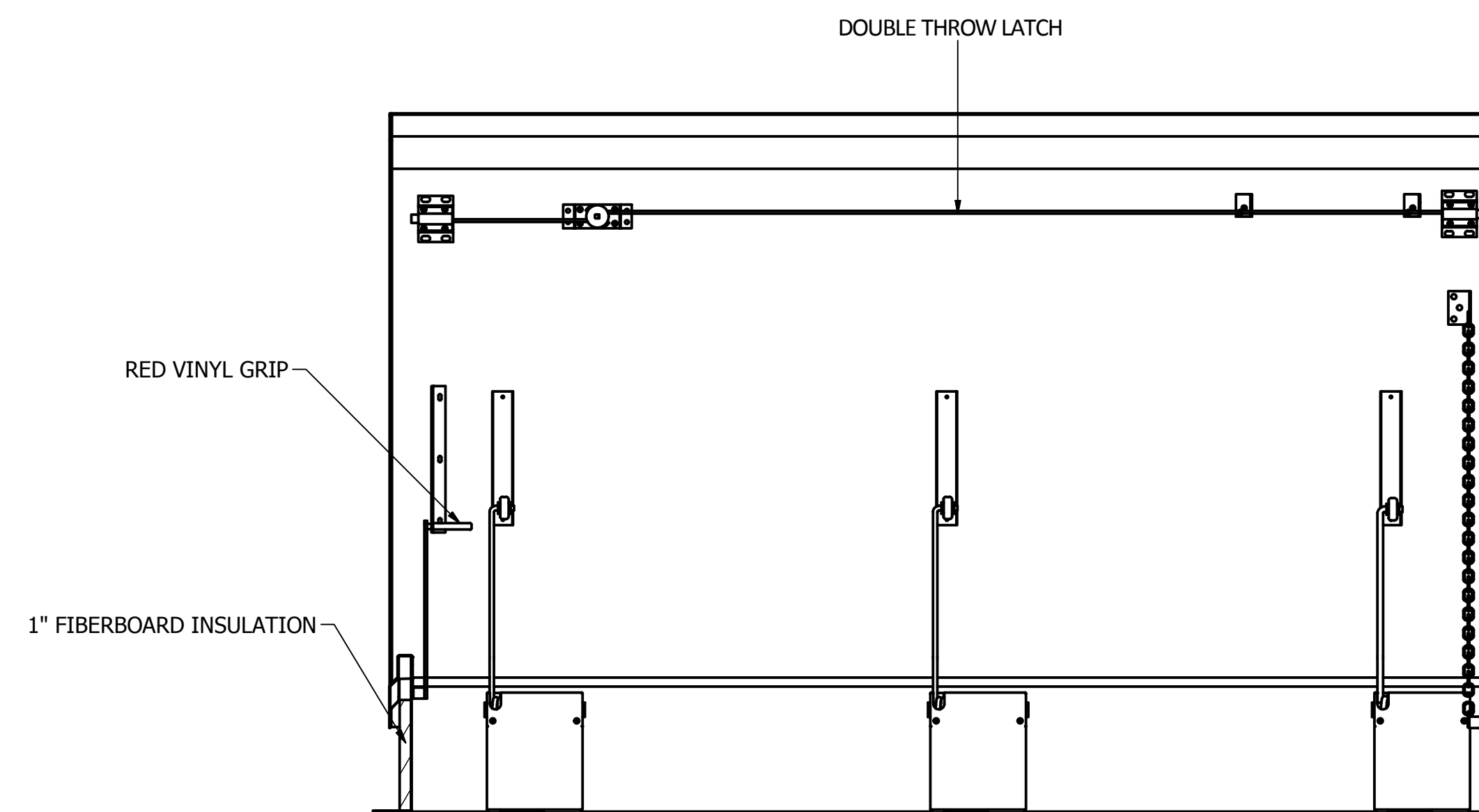
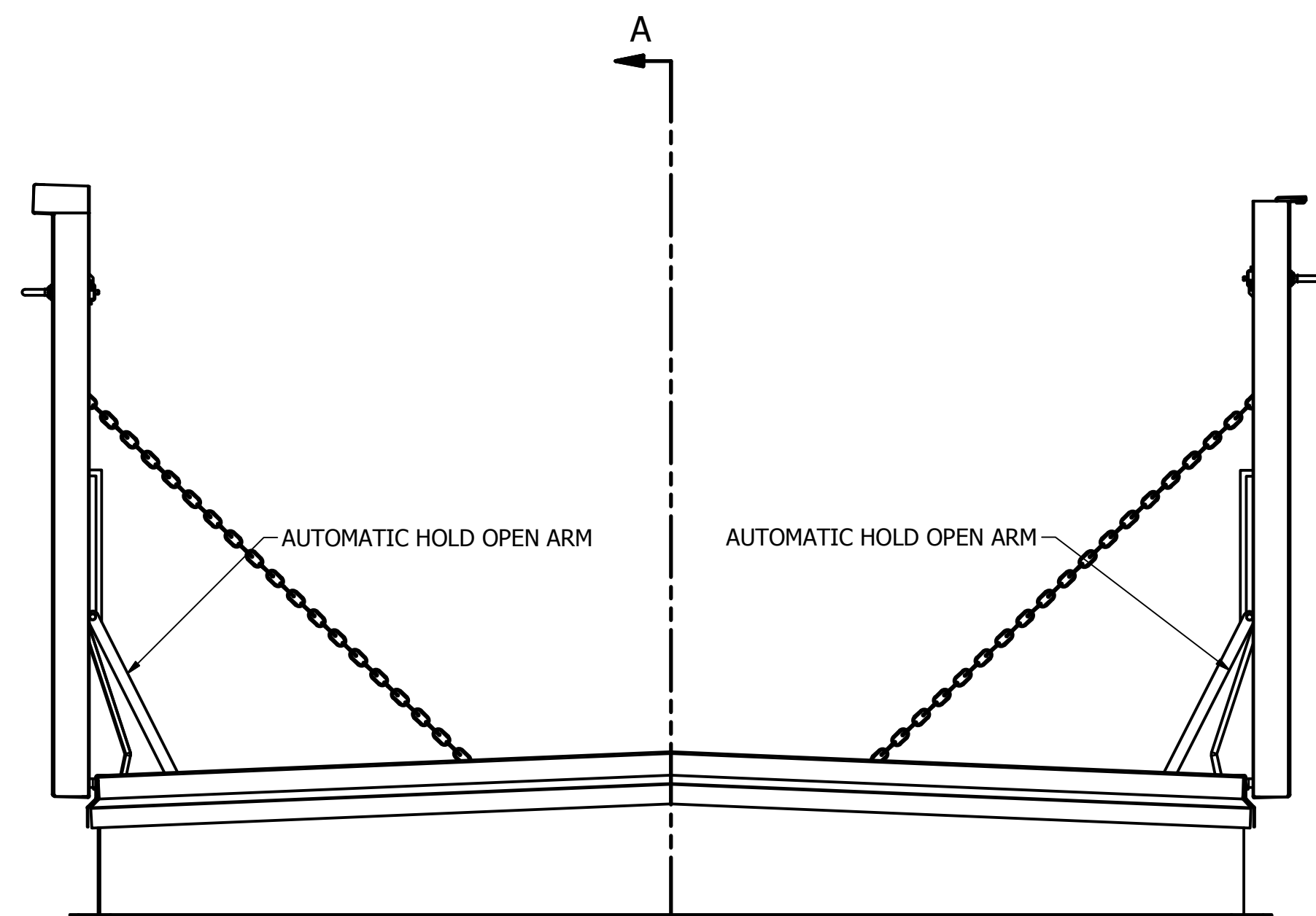


- NOTES:
- SIZE: RC-8'0"X8'0"
- 1) 40psf COVER LIVE LOAD RATING
 - 2) MILL FINISH
 - 3) MATERIALS:
 - .090 ALUMINUM, COVER
 - 14ga GALVANIZED, CURB
 - 14ga GALVANIZED, COUNTER FLASHING
 - .063 ALUMINUM, COVER LINER



ORDER WILL NOT BE RELEASED FOR FABRICATION UNTIL SIGNED COPY IS RECEIVED.


VERIFICATION AND APPROVAL OF GENERAL ARRANGEMENT AND OVERALL DIMENSIONS FOR THIS DOCUMENT ARE REQUIRED BEFORE THE ORDER IS ENTERED FOR MANUFACTURING.

APPROVAL SIGNATURE _____

TITLE HELD _____

DATE OF APPROVAL _____

BEST ROOF HATCHES For more information, contact us at info@bestroofhatches.com or call us at 1-800-431-8651

DRAWN	CMD	2/25/2015	 <small>For more information, contact us at info@bestroofhatches.com or call us at 1-800-431-8651</small>	
CHECKED	MILCOR			
QA	TOLERANCE UNLESS SPECIFIED		TITLE	
MFG	.XXX ± 0.005"		RC-6 DOUBLE LEAF ROOF ASSEMBLY	
APPROVED	.XX ± 0.01"		SIZE	D
	FRACT. ± 1/16"		DWG NO	3501-228-9
	ANGLES ± 1'		SCALE	1" = 1'
			SHEET 1 OF 1	