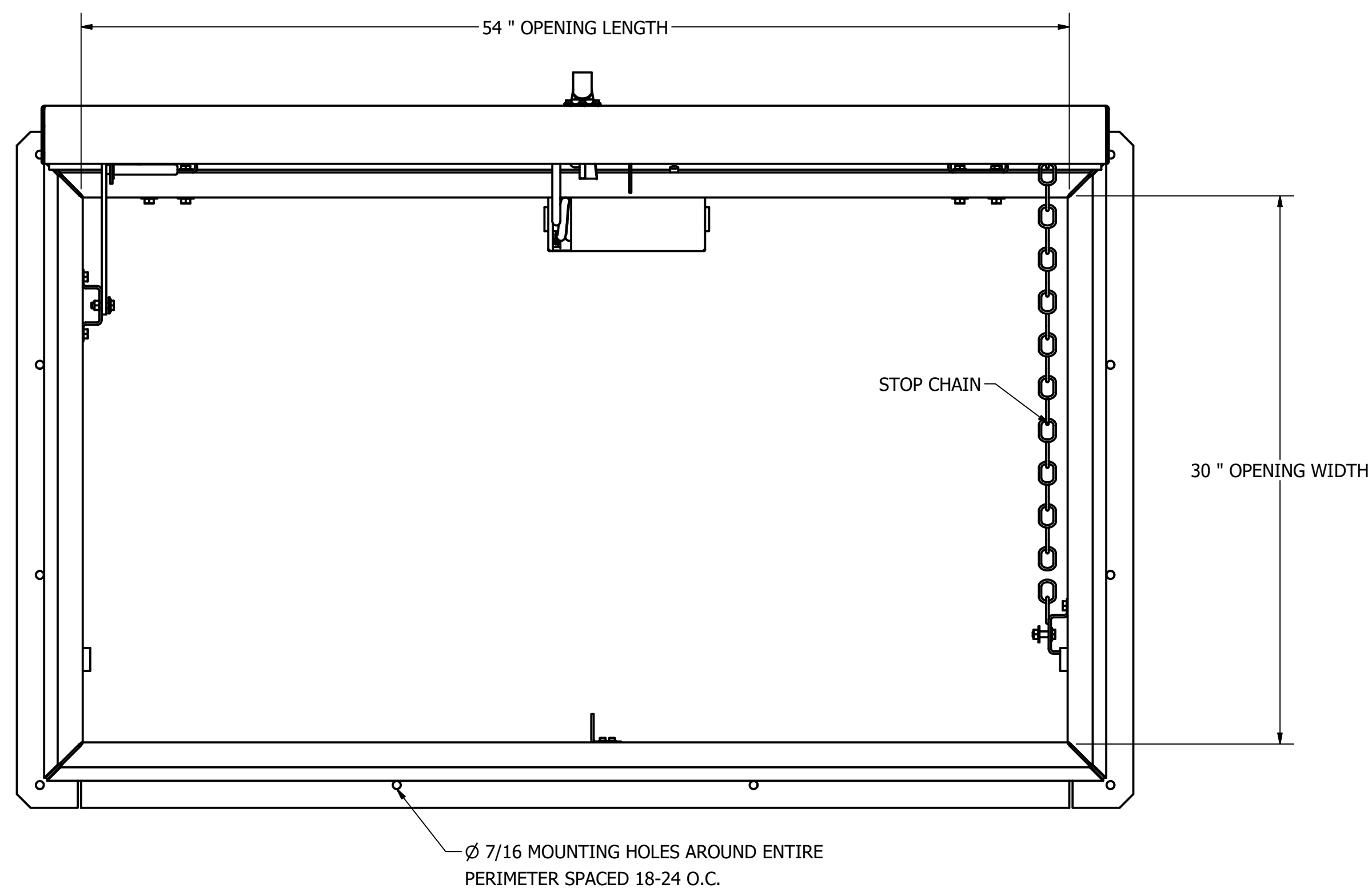


8 7 6 5 4 3 2 1



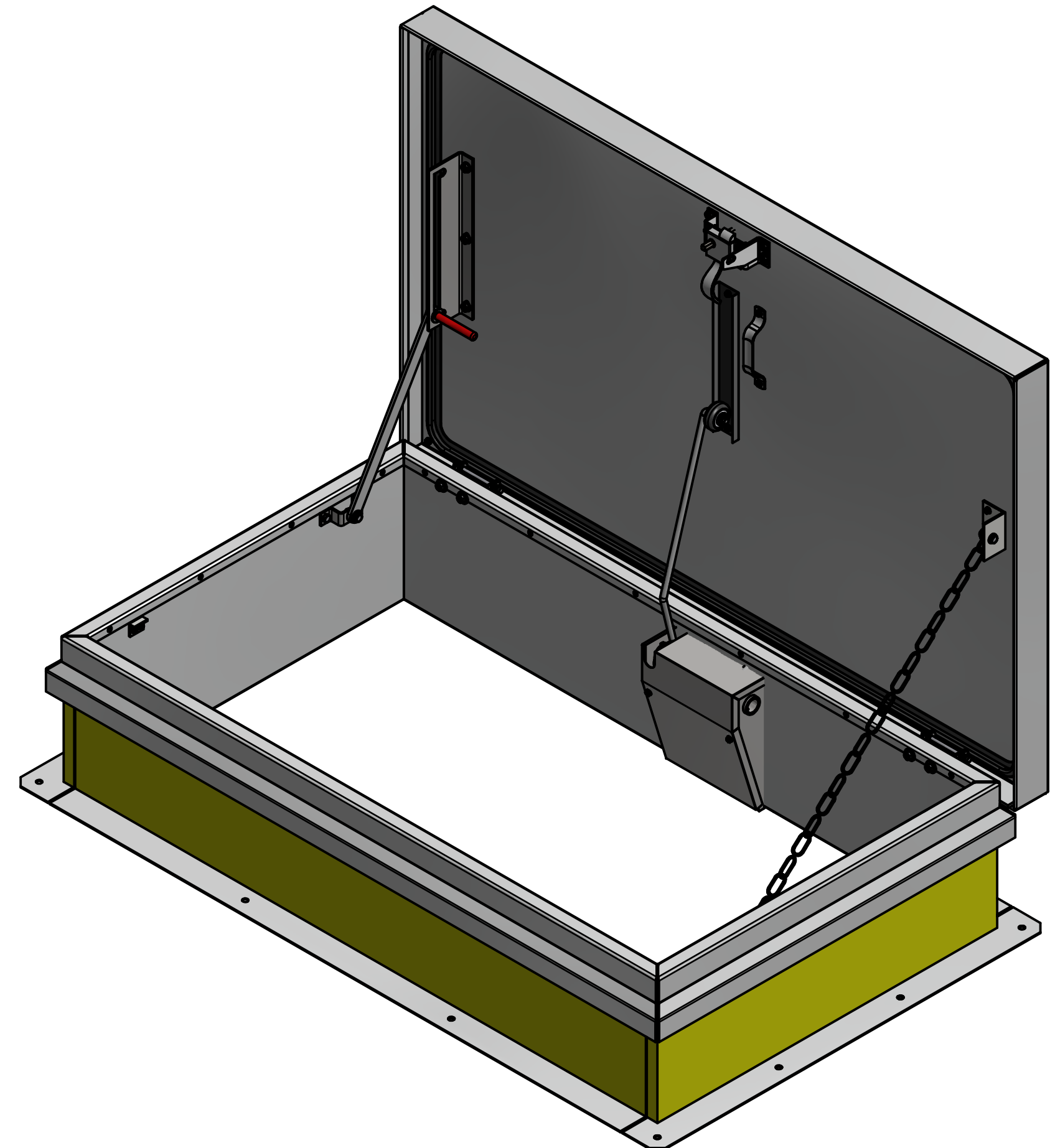
ORDER WILL NOT BE RELEASED FOR FABRICATION UNTIL SIGNED COPY IS RECEIVED.

VERIFICATION AND APPROVAL OF GENERAL ARRANGEMENT AND OVERALL DIMENSIONS FOR THIS DOCUMENT ARE REQUIRED BEFORE THE ORDER IS ENTERED FOR MANUFACTURING.

APPROVAL SIGNATURE _____

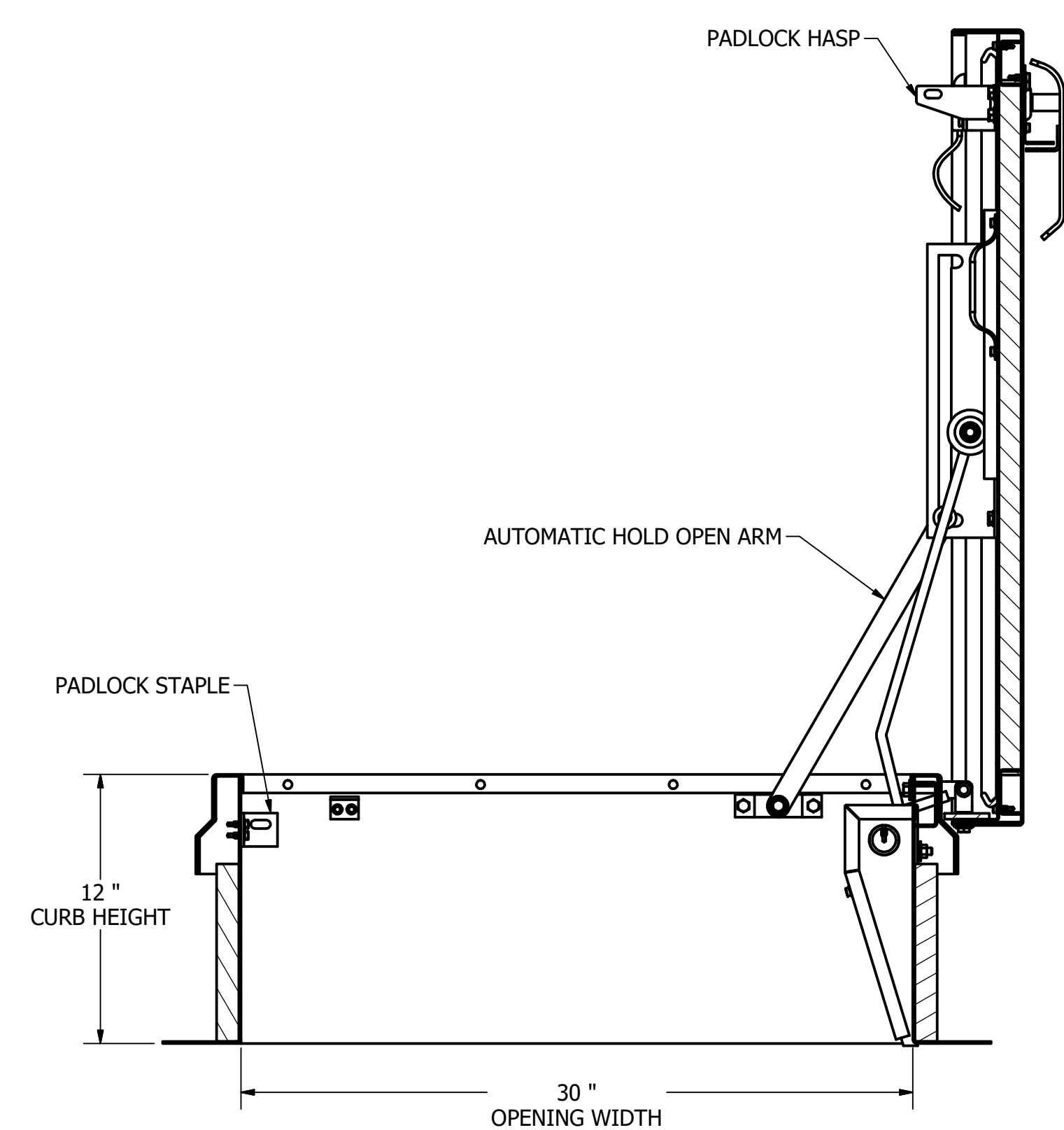
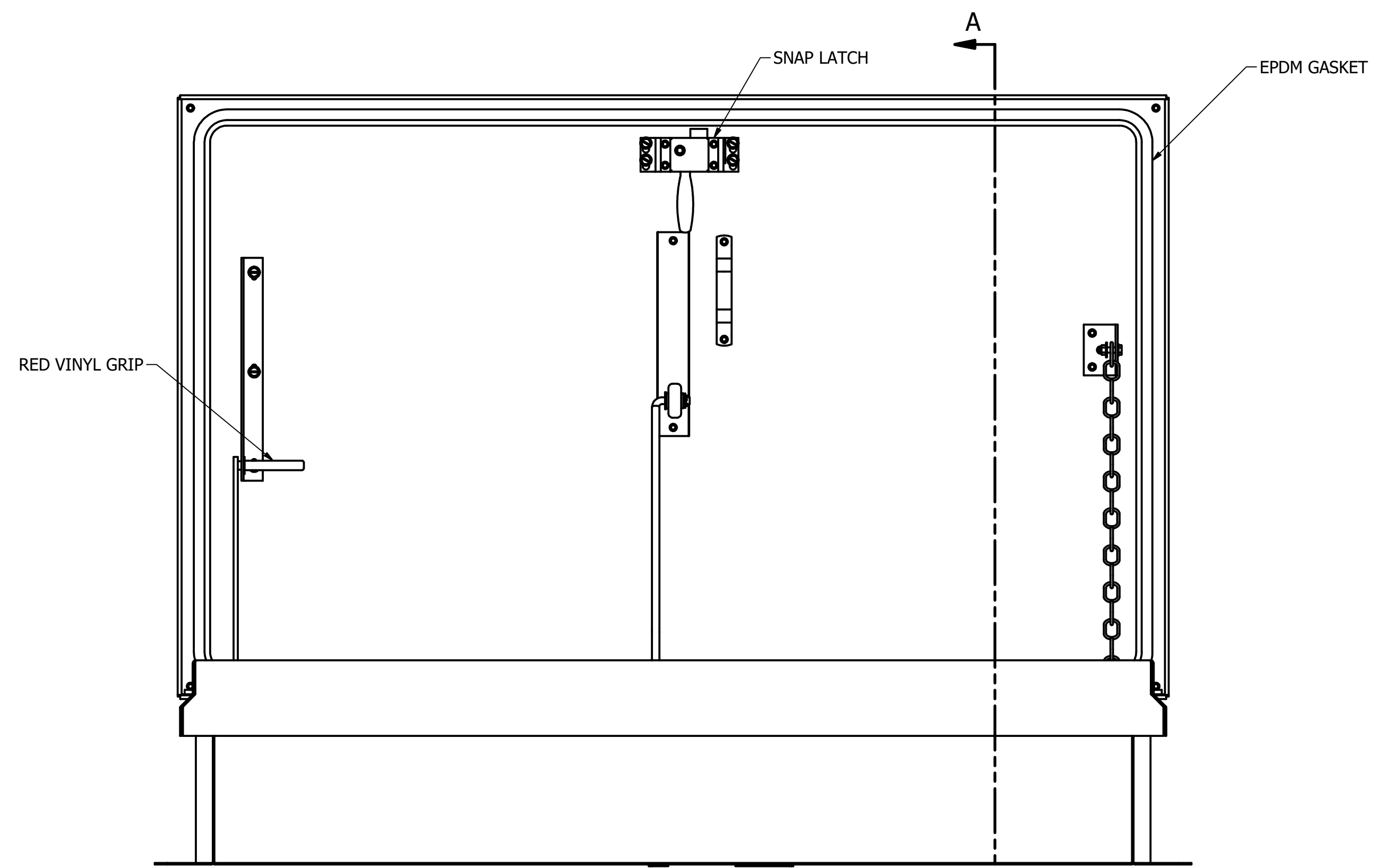
TITLE HELD _____

DATE OF APPROVAL _____



ISOMETRIC VIEW

- NOTES:
- SIZE: 2'-6" X 4'-6"
 - 1. CURB MATERIALS
 - a. 0.090 ALUMINUM CURB
 - 2. CURB CAP MATERIALS
 - b. 0.090 ALUMINUM CURB CAP
 - 3. CURB INSULATION THICKNESS AND MATERIALS
 - c. 1" RIGID FIBERBOARD CURB INSULATION
 - 4. COVER MATERIALS
 - d. 0.090 ALUMINUM COVER
 - 5. COVER LINER MATERIALS
 - e. 0.063 ALUMINUM COVER LINER
 - 6. COVER INSULATION THICKNESS AND MATERIALS
 - f. 1" FIBERGLASS COVER INSULATION
 - 7. COVER RATED FOR 40PSF LIVE LOAD
 - 8. COVER AND CURB ARE MILL FINISHED
 - 9. ZINC PLATED HARDWARE



BEST ROOF HATCHES For more information, contact us at info@bestroofhatches.com or call us at 1-800-431-8651

DRAWN CDEWILDT	5/16/2019		TITLE
CHECKED	MILCOR		RD-2 30X54 SINGLE LEAF ROOF HATCH
QA	TOLERANCE UNLESS SPECIFIED	SIZE	DWG NO
MFG	.XXX ± 0.005"	D	3501-135-9
APPROVED	.XX ± 0.01"	SCALE	REV
	FRACT. ± 1/16"		A
	ANGLES ± 1'		SHEET 1 OF 1

8 7 6 5 4 3 2 1