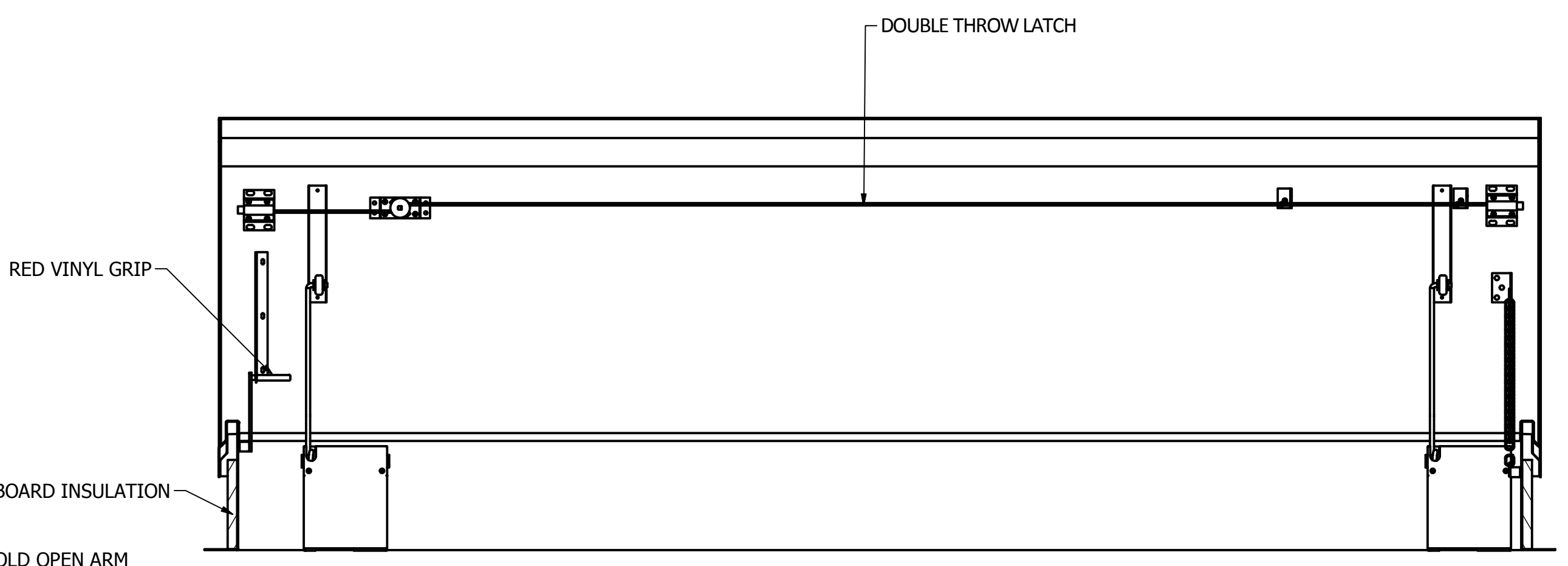
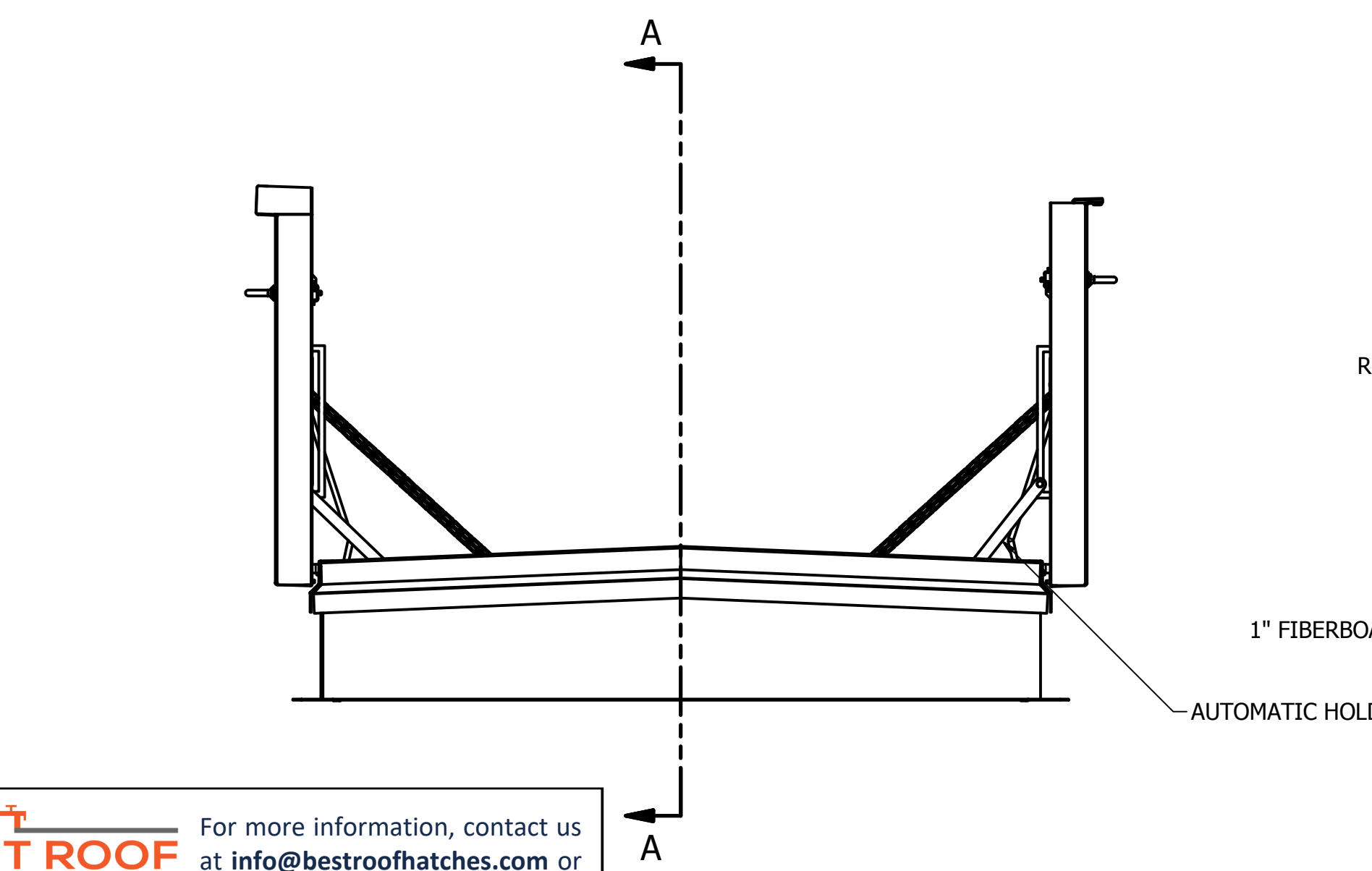


NOTES:
SIZE: RD-5'0"X11'0"
 1) 40psf COVER LIVE LOAD RATING
 2) MILL FINISH
 3) MATERIALS:
 .090 ALUMINUM, COVER
 .090 ALUMINUM, CURB
 .090 ALUMINUM, COUNTER FLASHING
 .063 ALUMINUM, COVER LINER



SECTION A-A

ORDER WILL NOT BE RELEASED FOR FABRICATION UNTIL SIGNED COPY IS RECEIVED.


VERIFICATION AND APPROVAL OF GENERAL ARRANGEMENT AND OVERALL DIMENSIONS FOR THIS DOCUMENT ARE REQUIRED BEFORE THE ORDER IS ENTERED FOR MANUFACTURING.

APPROVAL SIGNATURE _____

TITLE HELD _____

DATE OF APPROVAL _____

BEST ROOF HATCHES
 For more information, contact us at info@bestroofhatches.com or call us at 1-800-431-8651

DRAWN CMD	2/25/2015	 For more information, contact us at info@bestroofhatches.com or call us at 1-800-431-8651.	TITLE	RD-4 DOUBLE LEAF ROOF ASSEMBLY	
CHECKED	MILCOR		SIZE	D	DWG NO
QA	TOLERANCE UNLESS SPECIFIED	SCALE		REV	--
MFG	.XXX ± 0.005"				
APPROVED	.XX ± 0.01"				
	FRACT. ± 1/16"				
	ANGLES ± 1'				
		SHEET 1 OF 1			