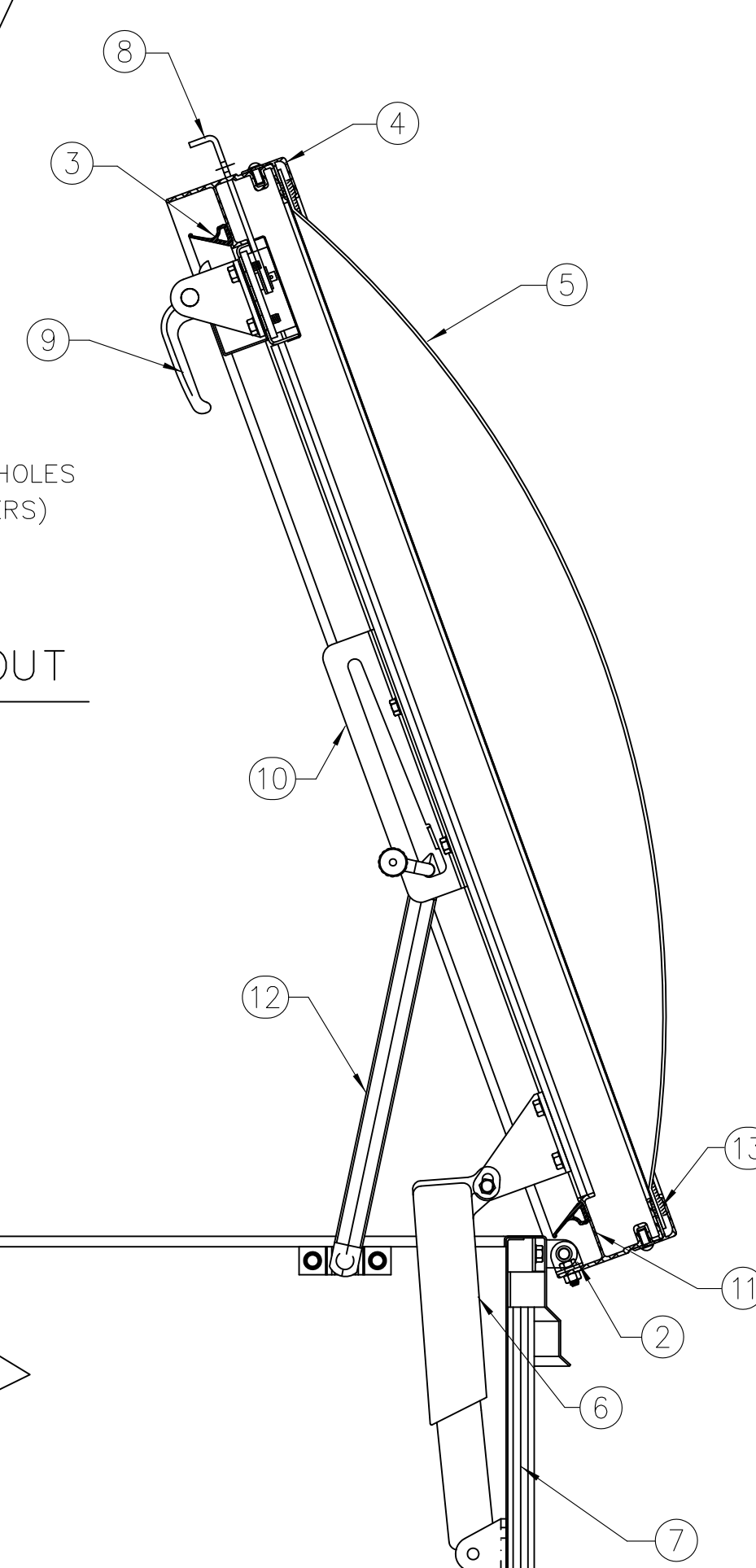
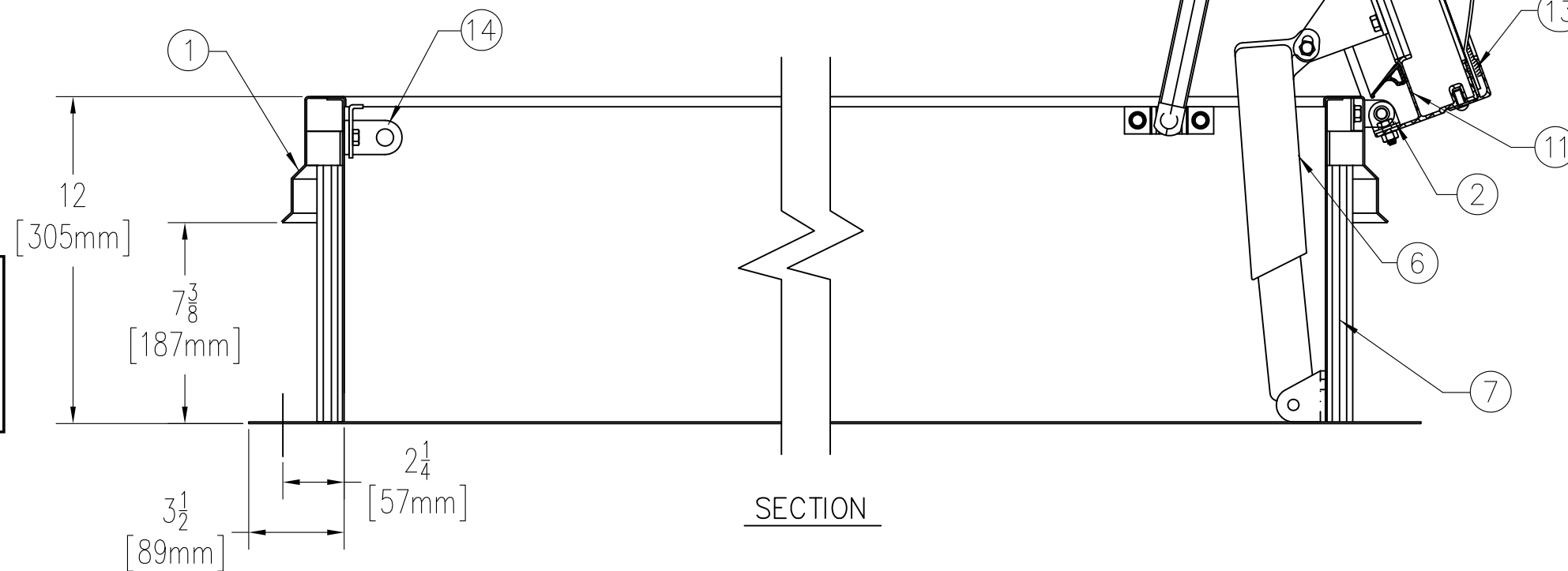
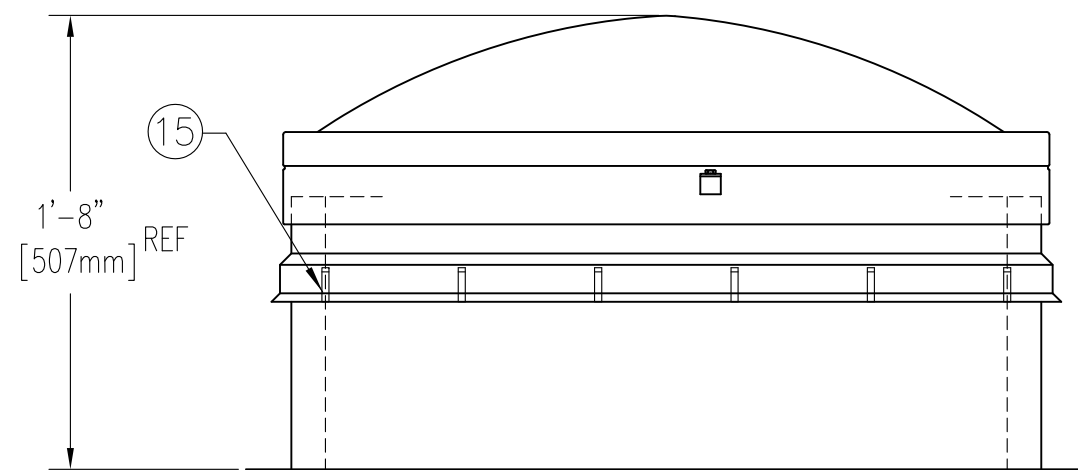


ANCHOR HOLE LAYOUT



SPECIFICATIONS

1. FRAME W/ CAPFLASHING (CORNERS FULL WELDED)  
GS-50 - 11 GAUGE ALUMINUM
2. PINTLE HINGE
3. GASKET (ALL AROUND COVER)
4. EXTRUDED ALUMINUM COVER FRAME
5. POLYCARBONATE DOME (CLEAR)
6. LIFTING MECHANISM WITH REINFORCED COMPOSITE TUBES AND COMPRESSION SPRINGS
7. 1" RIGID FIBERBOARD INSULATION
8. OUTSIDE HANDLE W/PADLOCK HASP
9. INSIDE HANDLE W/PADLOCK HASP
10. ARM GUIDE BRACKET
11. CONDENSATE CHANNEL WITH DRAINAGE TO EXTERIOR
12. HOLD OPEN ARM W/ RED VINYL GRIP
13. BUTYL SEALANT
14. LOCK STRIKE & PADLOCK HASP
15. BILCLIP® FLASHING SYSTEM

SHOP FINISH:

ALUMINUM: MILL FINISH  
 HARDWARE: ZINC PLATED & CHROMATE SEALED  
 (UNLESS OTHERWISE SPECIFIED)

THIS PRODUCT MAY BE INSTALLED ON EITHER A FLAT OR SLOPING ROOF. WHEN INSTALLED ON A SLOPE, THE HINGE SIDE MUST RUN PARALLEL WITH THE SLOPE. IF SLOPE EXCEEDS 30°, ADVISE FACTORY FOR MODIFICATION.

CUSTOMER:

P.O. N°

JOB:

SALES REP:

Manufacturers of Doors for Special Services  
**Bilco**® THE BILCO COMPANY  
 New Haven, Connecticut 06505

**SINGLE LEAF ROOF SCUTTLE**  
**DOMED TYPE GS-50**  
**SIZE 3'-0" x 2'-6"**  
 WIDTH x LENGTH

QTY	TYPE	METAL
□	GS-50	ALUM. COVER/ALUM. FRAME

**BEST ROOF HATCHES**

For more information, contact us at [info@bestroofhatches.com](mailto:info@bestroofhatches.com) or call us at 1-800-431-8651