

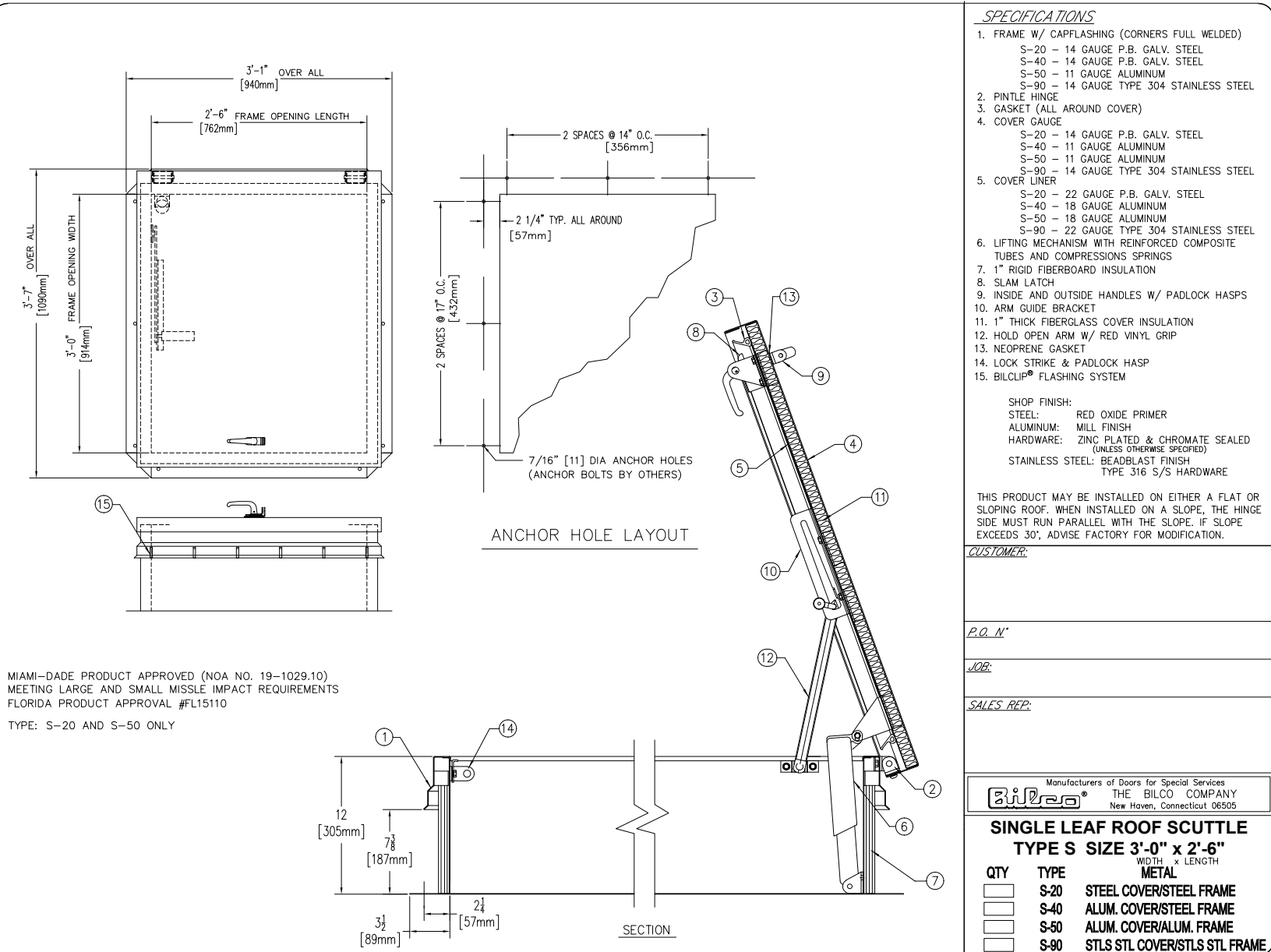
BEST ROOF HATCHES

GALVANIZED STEEL MIAMI-DADE APPROVED - ROOF HATCH - BILCO

CATEGORY: MIAMI DADE

SKU: S-20

Bilco®



SPECIFICATIONS

- FRAME W/ CAPFLASHING (CORNERS FULL WELDED)
 - S-20 - 14 GAUGE P.B. GALV. STEEL
 - S-40 - 14 GAUGE P.B. GALV. STEEL
 - S-50 - 11 GAUGE ALUMINUM
 - S-90 - 14 GAUGE TYPE 304 STAINLESS STEEL
- PINTLE HINGE
- GASKET (ALL AROUND COVER)
- COVER GAUGE
 - S-20 - 14 GAUGE P.B. GALV. STEEL
 - S-40 - 11 GAUGE ALUMINUM
 - S-50 - 11 GAUGE ALUMINUM
 - S-90 - 14 GAUGE TYPE 304 STAINLESS STEEL
- COVER LINER
 - S-20 - 22 GAUGE P.B. GALV. STEEL
 - S-40 - 18 GAUGE ALUMINUM
 - S-50 - 18 GAUGE ALUMINUM
 - S-90 - 22 GAUGE TYPE 304 STAINLESS STEEL
- LIFTING MECHANISM WITH REINFORCED COMPOSITE TUBES AND COMPRESSIONS SPRINGS
- 1" RIGID FIBERBOARD INSULATION
- SLAM LATCH
- INSIDE AND OUTSIDE HANDLES W/ PADLOCK HASPS
- ARM GUIDE BRACKET
- 1" THICK FIBERGLASS COVER INSULATION
- HOLD OPEN ARM W/ RED VINYL GRIP
- NEOPRENE GASKET
- LOCK STRIKE & PADLOCK HASP
- BILCLIP® FLASHING SYSTEM

SHOP FINISH:
STEEL: RED OXIDE PRIMER
ALUMINUM: MILL FINISH
HARDWARE: ZINC PLATED & CHROMATE SEALED (UNLESS OTHERWISE SPECIFIED)
STAINLESS STEEL: BEADBLAST FINISH TYPE 316 S/S HARDWARE

THIS PRODUCT MAY BE INSTALLED ON EITHER A FLAT OR SLOPING ROOF. WHEN INSTALLED ON A SLOPE, THE HINGE SIDE MUST RUN PARALLEL WITH THE SLOPE. IF SLOPE EXCEEDS 30°, ADVISE FACTORY FOR MODIFICATION.

CUSTOMER:

P.O. N°:

JOB:

SALES REP:

Manufacturers of Doors for Special Services
Bilco® THE BILCO COMPANY
New Haven, Connecticut 06505

SINGLE LEAF ROOF SCUTTLE TYPE S SIZE 3'-0" x 2'-6"

QTY	TYPE	WIDTH x LENGTH METAL
<input type="checkbox"/>	S-20	STEEL COVER/STEEL FRAME
<input type="checkbox"/>	S-40	ALUM. COVER/STEEL FRAME
<input type="checkbox"/>	S-50	ALUM. COVER/ALUM. FRAME
<input type="checkbox"/>	S-90	STLS STL COVER/STLS STL FRAME

TOLL FREE PHONE:
1-800-431-8651

EMAIL:
info@bestroofhatches.com

FAX:
1-888-828-6021

www.BestRoofHatches.com