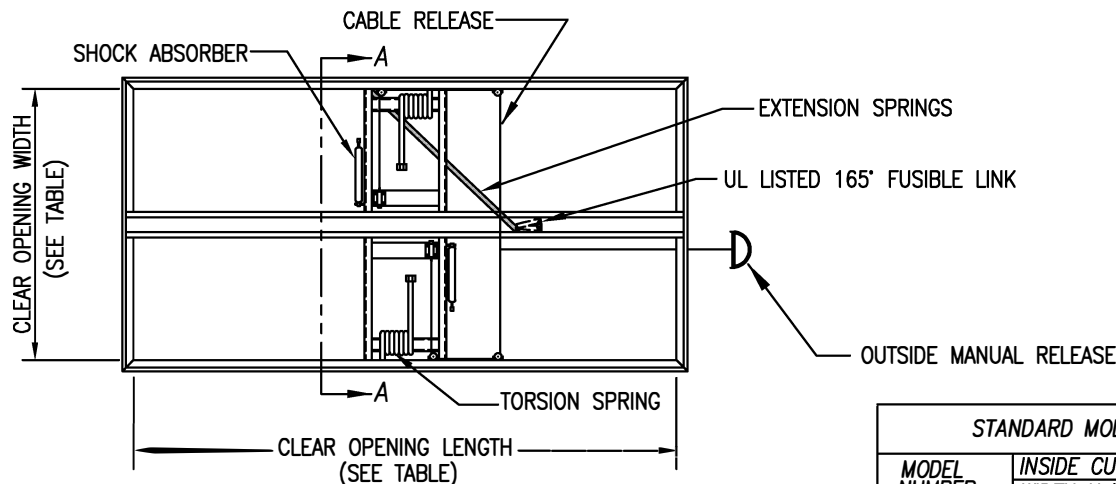


7/16" HOLES 1-1/4" FROM OUTSIDE
EDGE ARE PROVIDED ALONG PERIMETER
(24" MIN. O.C.) OF FLANGE FOR MOUNTING.



ORDER WILL NOT BE RELEASED FOR FABRICATION UNTIL SIGNED COPY IS RECEIVED.

VERIFICATION AND APPROVAL OF GENERAL ARRANGEMENT AND OVERALL DIMENSIONS OF THIS DOCUMENT ARE REQUIRED BEFORE THE ORDER IS ENTERED FOR MANUFACTURING.

APPROVAL SIGNATURE _____

TITLE HELD _____

DATE OF APPROVAL _____

U-LP "LOW PROFILE" HEAT & SMOKE VENT			
MATERIAL SCHEDULE			
QUANTITY	SIZE	COVER	FRAME
		22 GA.GALV.STL	16 GA.GALV.STL

STANDARD MODEL TABLE				
MODEL NUMBER	INSIDE CURB DIM. WIDTH X LENGTH	QTY.	UL	FM
U-LP-4848	48" X 48"		✓	✓
U-LP-4860	48" X 60"		✓	✓
U-LP-4872	48" X 72"		✓	✓
U-LP-4884	48" X 84"		✓	✓
U-LP-4890	48" X 90"		✓	✓
U-LP-4896	48" X 96"		✓	✓
U-LP-5448	54" X 48"		✓	✓
U-LP-5460	54" X 60"		✓	✓
U-LP-5472	54" X 72"		✓	✓
U-LP-6060	60" X 60"		✓	✓

MILCOR BEST ROOF HATCHES For more information, contact us at info@bestroofhatches.com or call us at 1-800-431-8651

GALVANIZED STEEL CONSTRUCTION

DEALER	
PROJECT	
LOCATION	
ARCH.	
DATE	DRAWN
	JOB NO.
REV:(A) UP LIFT PRESSURE WAS 30 PSF(03/17/10)	
REV:(B) FUSIBLE LINK CHANGED TO 360(12/04/14)	
	SHEET

NOTES:

- * LISTED BY UNDERWRITERS' LABORATORIES (UL793)
- * APPROVED BY FACTORY MUTUAL (SNOW RATE 10 PSF)
- * APPROVED BY FACTORY MUTUAL (UP-LIFT PRESSURE 240 PSF)
- * CURB WIDTHS X LENGTHS BETWEEN THE STANDARD LISTED SIZES ARE CUSTOM.

BEST ROOF HATCHES For more information, contact us at info@bestroofhatches.com or call us at 1-800-431-8651