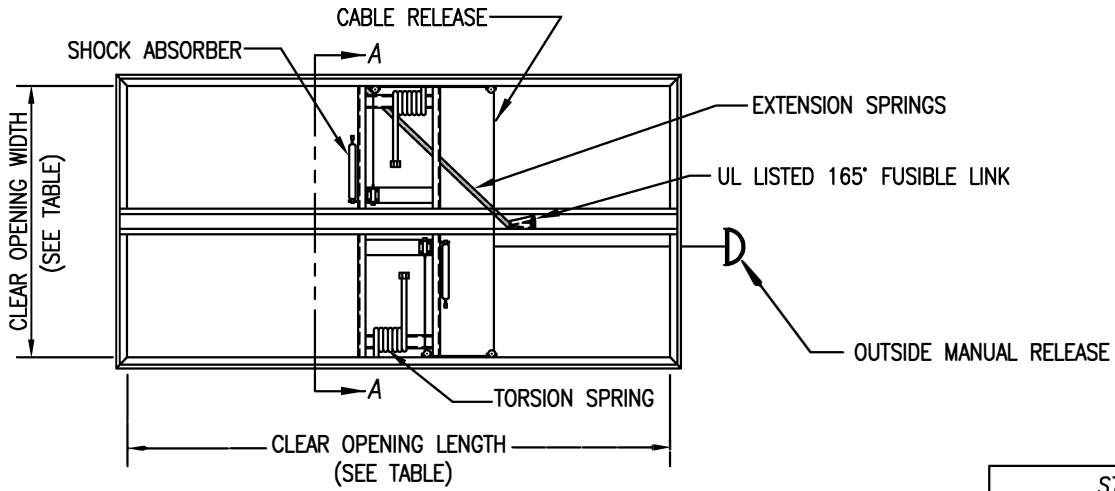


7/16" HOLES 1-1/4" FROM OUTSIDE EDGE ARE PROVIDED ALONG PERIMETER (24" MIN. O.C.) OF FLANGE FOR MOUNTING.



ORDER WILL NOT BE RELEASED FOR FABRICATION UNTIL SIGNED COPY IS RECEIVED.

VERIFICATION AND APPROVAL OF GENERAL ARRANGEMENT AND OVERALL DIMENSIONS OF THIS DOCUMENT ARE REQUIRED BEFORE THE ORDER IS ENTERED FOR MANUFACTURING.

APPROVAL SIGNATURE _____

TITLE HELD _____

DATE OF APPROVAL _____

U-LPA "LOW PROFILE" HEAT & SMOKE VENT			
MATERIAL SCHEDULE			
QUANTITY	SIZE	COVER	FRAME
		.063 GA. ALUM.	.090 GA. ALUM.

STANDARD MODEL TABLE				
MODEL NUMBER	INSIDE CURB DIM. WIDTH X LENGTH	QTY.	UL	FM
U-LPA-4848	48" X 48"		✓	✓
U-LPA-4860	48" X 60"		✓	✓
U-LPA-4872	48" X 72"		✓	✓
U-LPA-4884	48" X 84"		✓	✓
U-LPA-4890	48" X 90"		✓	✓
U-LPA-4896	48" X 96"		✓	✓
U-LPA-5448	54" X 48"		✓	✓
U-LPA-5460	54" X 60"		✓	✓
U-LPA-5472	54" X 72"		✓	✓
U-LPA-6060	60" X 60"		✓	✓

MILCOR BEST ROOF HATCHES

For more information, contact us at info@bestroofhatches.com or call us at 1-800-431-8651

ALUMINUM CONSTRUCTION

DEALER _____

PROJECT _____

LOCATION _____

ARCH. _____

DATE _____ DRAWN _____

JOB NO. _____

REV:(A) UP LIFT PRESSURE WAS 30 PSF(03/17/10)

REV:(B) FUSIBLE LINK CHANGED TO 360(12/03/14)

SHEET

NOTES:

- * LISTED BY UNDERWRITERS' LABORATORIES UL793
- * APPROVED BY FACTORY MUTUAL (SNOW RATE 10 PSF)
- * APPROVED BY FACTORY MUTUAL (UP-LIFT PRESSURE 225 PSF)
- * CURB WIDTHS X LENGTHS BETWEEN THE STANDARD LISTED SIZES ARE CUSTOM.

BEST ROOF HATCHES

For more information, contact us at info@bestroofhatches.com or call us at 1-800-431-8651